



G1/2"

85

≈ 75

≈ 82

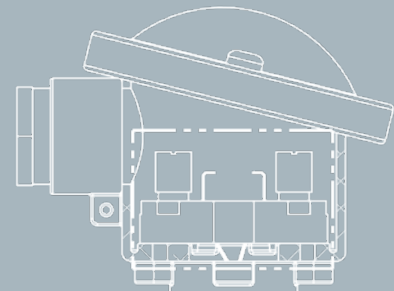
∅ 6

33

∅ 44

SENSORS CATALOGUE

TEMPERATURE MEASUREMENT IN INDUSTRIAL ENVIRONMENTS



∅ 1/2"

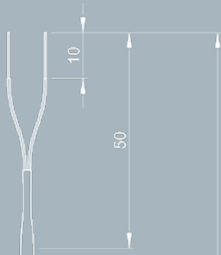
1/2

≈ 35

L3

L2

R45 ≥ ∅ 1/2"
R60 ≥ ∅ 3/4"



10

50

2000

PG7

∅ 18

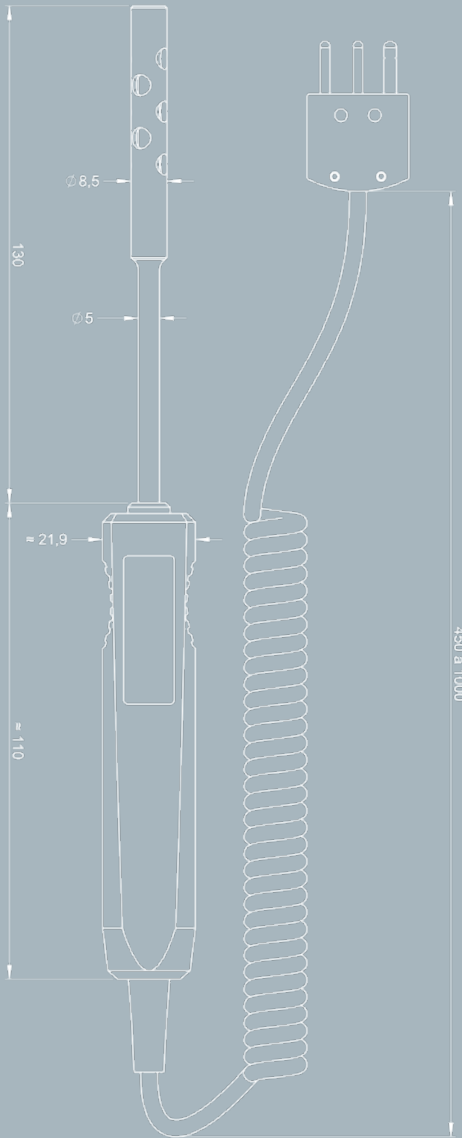
80

100

∅ 15

∅ 6,5

5



∅ 8,5

∅ 5

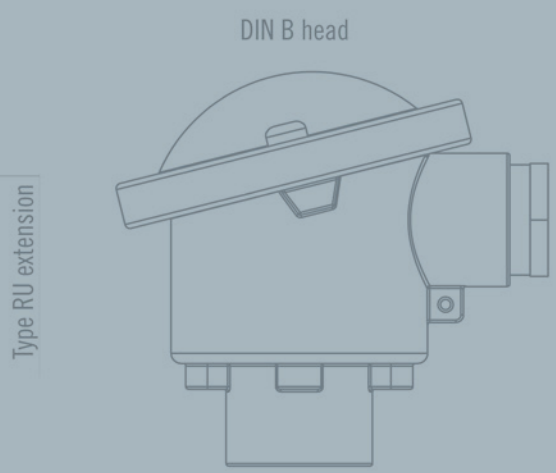
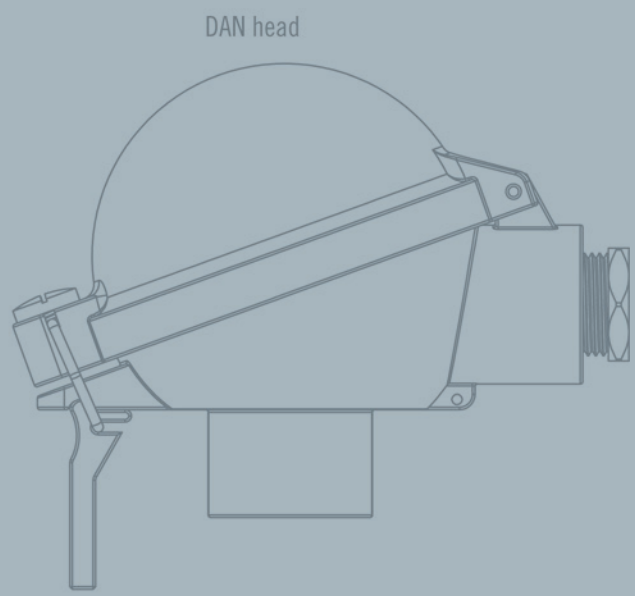
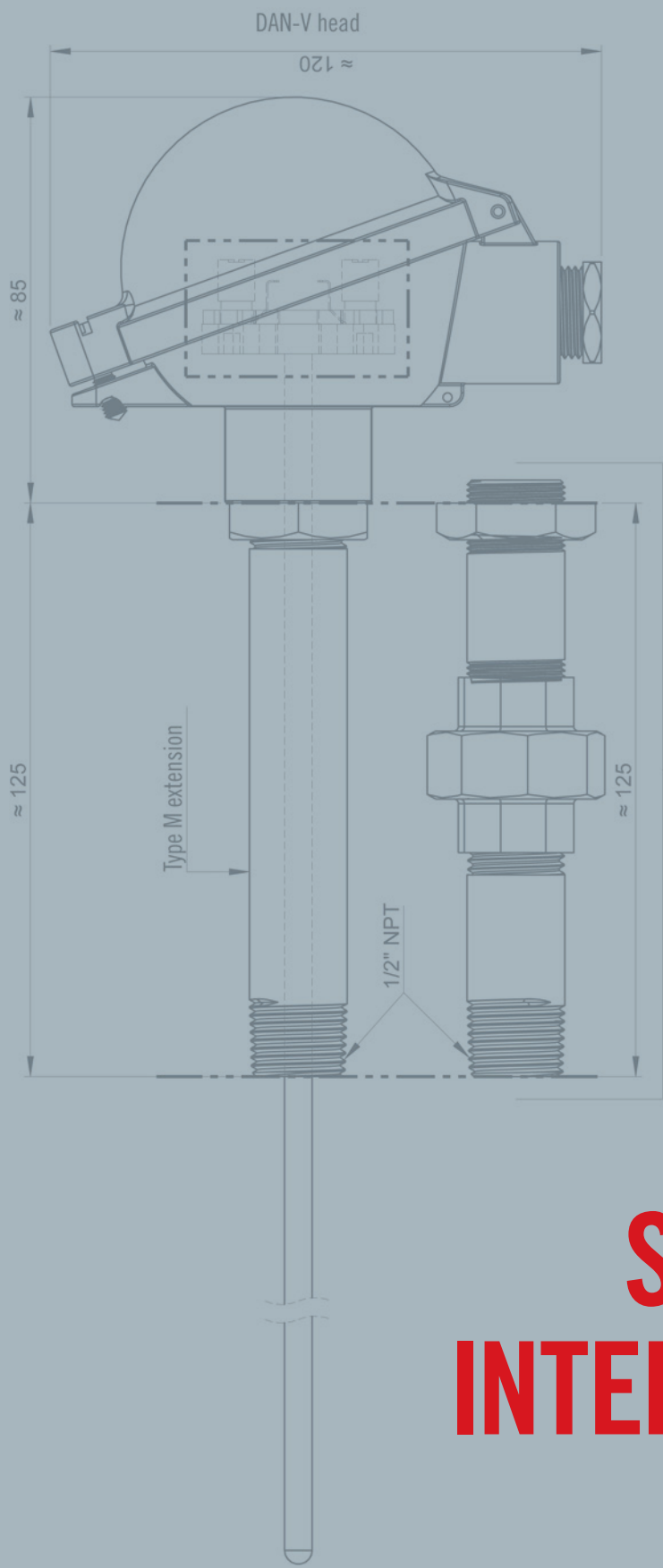
130

≈ 21,9

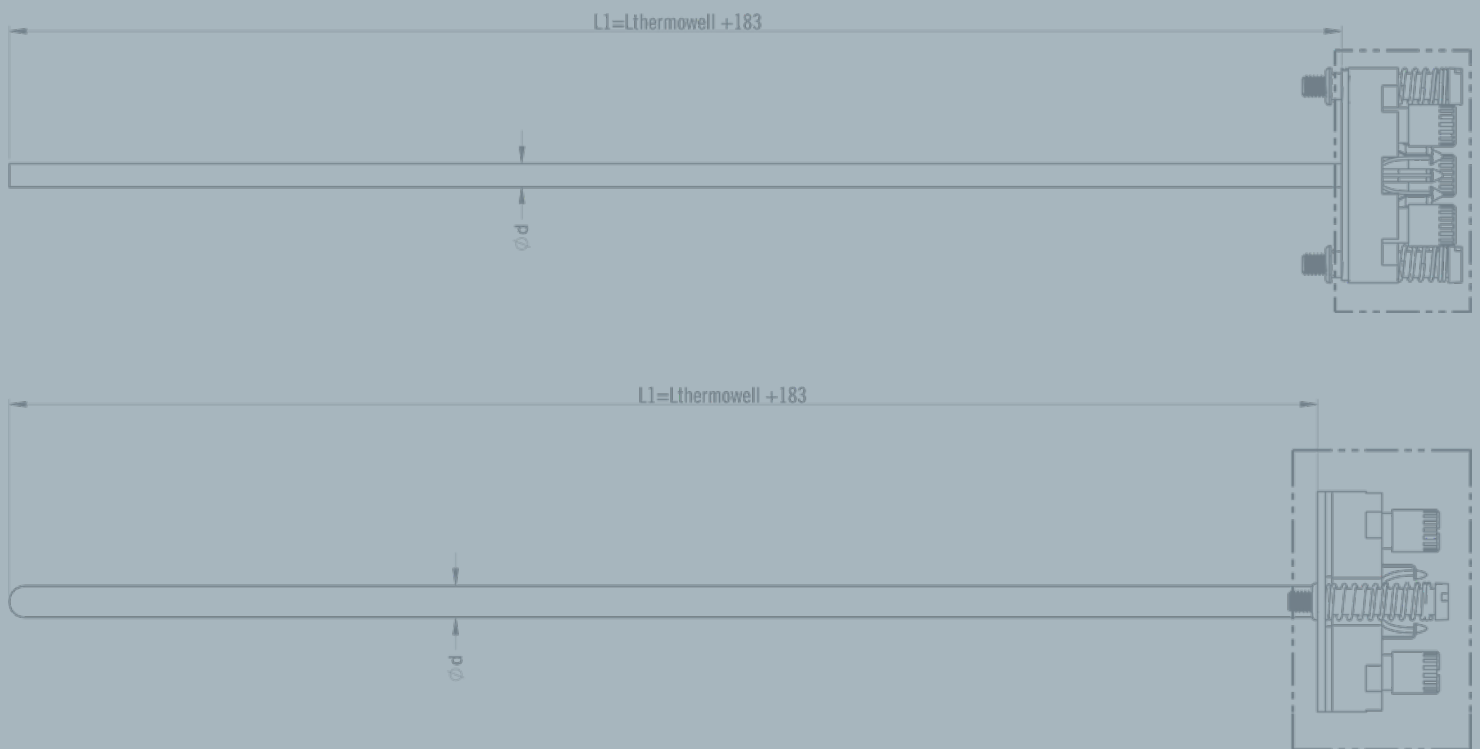
≈ 110

450 à 1000





PROCESS SENSORS WITH INTERCHANGEABLE ELEMENTS



TPS: THERMOCOUPLE

166

SPS: Pt100

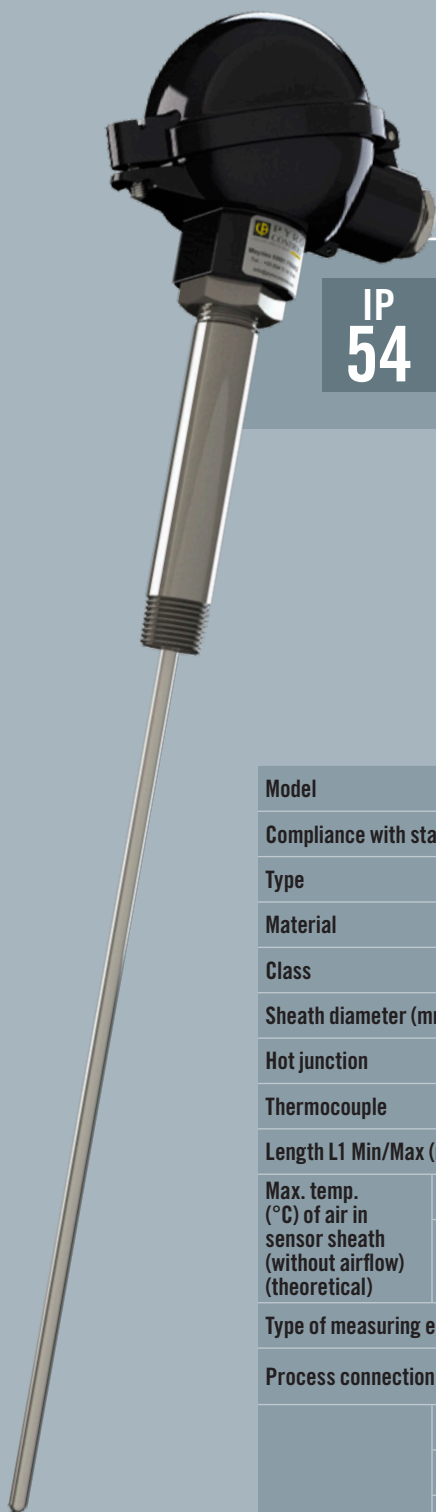
168

**DG / TG: INTERCHANGEABLE THERMOCOUPLE
ELEMENTS**

170

DS / TS: INTERCHANGEABLE PT100 ELEMENTS

172



TPS

THERMOCOUPLE

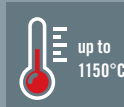
IP
54

IP
65

CLASS
1

IEC
584-1

SINGLE
OR
DUPLEX



DESCRIPTION

Process sensor for non-hazardous zones, equipped with an interchangeable measuring element. For mounting in a thermowell (see page 238).

SPECIFICATIONS

Model		TPS				
Compliance with standards		IEC 584-1 / NF EN 60584-1				
Type		K	J	T	N	
Material		Inconel 600	316L	316L	Inconel 600	Pyrosil
Class		1		2	1	
Sheath diameter (mm)		6 - 8				
Hot junction		Insulated/Earthed				
Thermocouple		Single / Duplex			Single	
Length L1 Min/Max (mm)		1 500				
Max. temp. (°C) of air in sensor sheath (without airflow) (theoretical)	Diam. 6 mm	1000°C	720°C	350°C	1000°C	1100°C
	Diam. 8 mm	1100°C	720°C	350°C	1100°C	1150°C
Type of measuring element		DS... / TS...				
Process connection		Type M extension - Type RU extension (makes it easy to orient the head). Threading: 1/2"NPT. Stainless steel.				
Output	Head type	DAN		DAN-V	DIN B	
	Material	Light alloy				
	Output	1 cable gland M20x1.5				
	Cable diam.	5.5 to 7.5 mm				
	Equipment	Ceramic terminal strip (standard) or Transmitter				
	IP	IP54		IP65	IP54	
Accessories		Measuring element, thermowell, cable gland				

DESIGN YOUR SENSOR

CONFIGURATOR CODE

Parameters to be indicated when ordering

MODEL	HEAD	TC TYPE	SHEATH TYPE	∅ SHEATH (mm)	LENGTH L1 (mm)	HOT JUNCTION	EXTENSION	OPTION	
TPS								TRANSMITTER	TRANSMITTER SCALE
Reference in table and diagram	1	2	3	4	5		6	7	
Possible choice	DAN: DAN DAN-V: DAV DIN B: DIB	1T / 1J 1K / 1N 2K / 2J	316L: AC INCONEL 600: CM PYROSIL: DB	6 / 8	Max. 1,500 mm	Insulated: I (standard) Earthed: M	Type M: M Type RU: R	LC5334A-100: A LC5331A-321: B LC5335A-100: C	

TABLE OF POSSIBLE ASSOCIATIONS

Class 1 thermocouple type	Sheath diameter (mm)	
	6	8
T (class2)	316L	316L
J	316L	316L
K	INCONEL600	INCONEL600
N	INCONEL600	-
	PYROSIL	PYROSIL
2J	316L	316L
2K	INCONEL600	INCONEL600

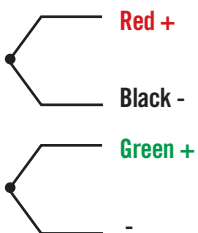
TRANSMITTER INFORMATION

Transmitter			
Input	Output	Galvanic insulation	Reference
TC	4-20mA	1.5kV	LC5334A-100
TC + Pt100	4-20mA	1.5kV	LC5331A-321
TC + Pt100	4-20mA + HART	1.5kV	LC5335A-100

Not compatible with duplex version

CONNECTION ON TERMINAL STRIP

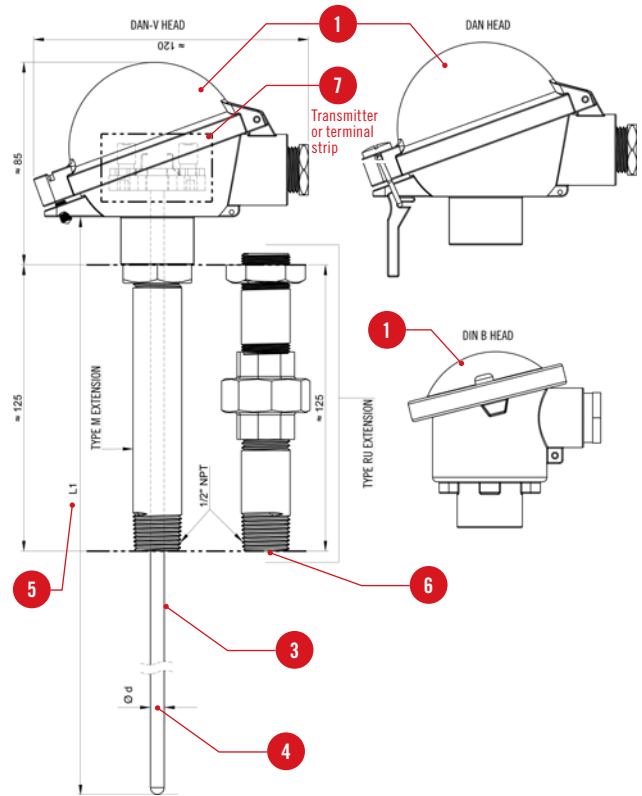
Duplex thermocouple



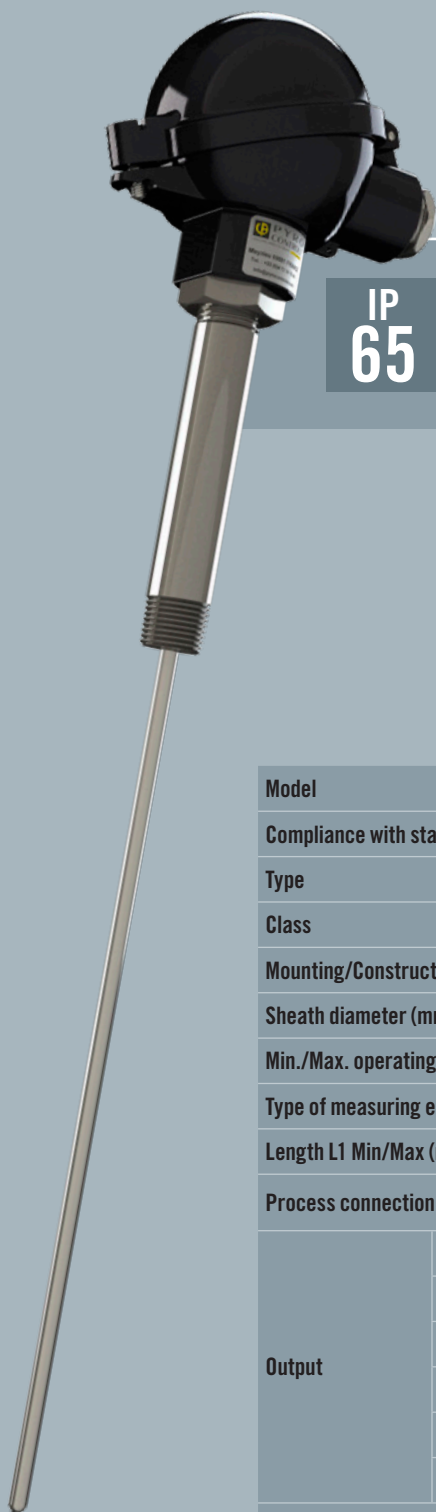
Single thermocouple



DIAGRAM



For any other configuration, please contact us.



SPS

Pt100

IP
65IP
54CLASS
AIEC
60751SINGLE
OR
DUPLEX

DESCRIPTION

Process sensor for non-hazardous zones, equipped with an interchangeable measuring element. For mounting in a thermowell (see page 238).

SPECIFICATIONS

Model		SPS		
Compliance with standards		IEC 60751		
Type		Pt100		
Class		A		
Mounting/Construction		1x3 wires / 1x4 wires / 2x2 wires / 2x3 wires		
Sheath diameter (mm)		6 - 8		
Min./Max. operating temp. (°C)		-40...+450°C		
Type of measuring element		DS... / TS...		
Length L1 Min/Max (mm)		1,500		
Process connection		Type M extension - Type RU extension (makes it easy to orient the head). Threading: 1/2"NPT. Stainless steel.		
Output	Head type	DAN	DAN-V	DIN B
	Material	Light alloy		
	Output	1 cable gland M20x1.5		
	Cable diam.	5.5 to 7.5 mm		
	Equipment	Ceramic terminal strip (standard) or Transmitter		
	IP	IP54	IP65	IP54
Accessories		Measuring element, thermowell, cable gland		

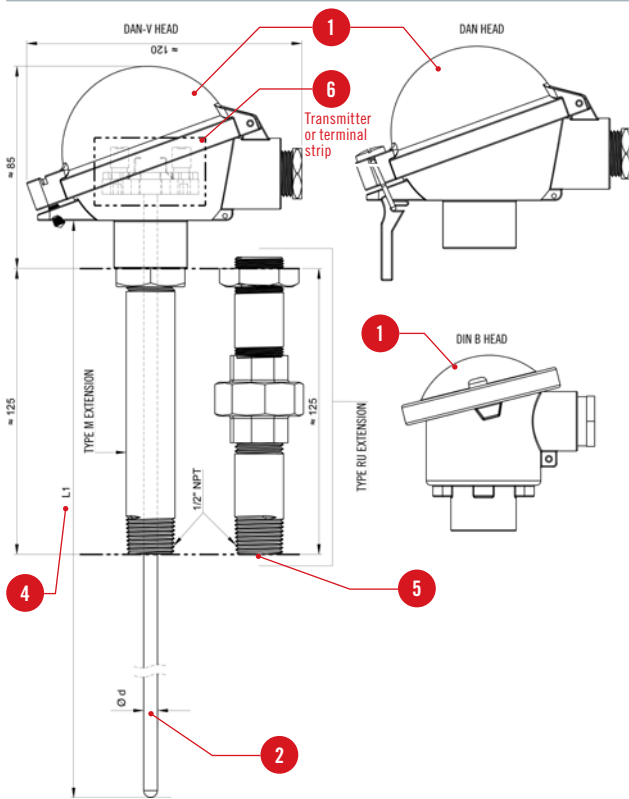
DESIGN YOUR SENSOR

CONFIGURATOR CODE

Parameters to be indicated when ordering

MODEL	HEAD	DIAMETER (mm)	MOUNTING	LENGTH L1 (mm)	EXTENSION	TRANSMITTER	TRANSMITTER SCALE
SPS							
Reference in table and diagram	1	2	3	4	5	6	OPTION
Possible choice	DAN: DAN DAN-V: DAV DIN B: DIB	6 / 8	1x3 wires: B 1x4 wires: C 2x2 wires: D 2x3 wires: E	Max 1,500 mm	Type M: M Type RU: R	LC5333A-100: D LC5331A-100: B LC5335A-100: C	

DIAGRAM



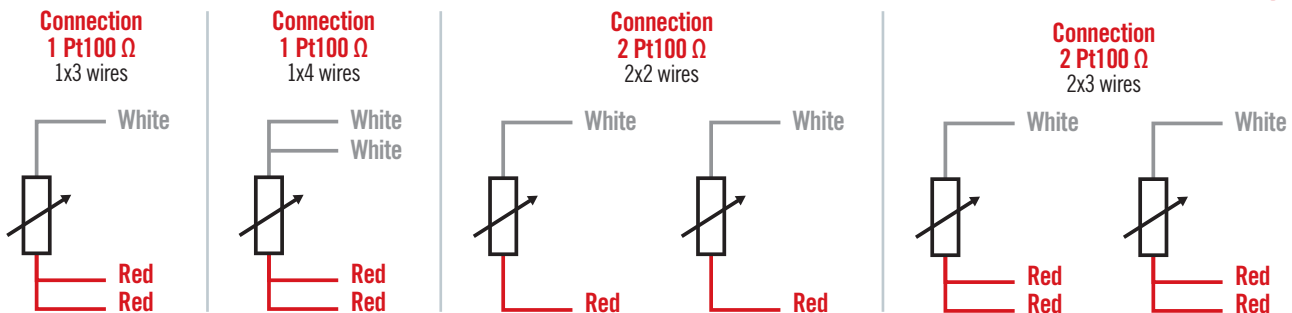
TRANSMITTER INFORMATION

Transmitter			
Input	Output	Galvanic insulation	Reference
Pt100	4-20mA	NONE	LC5333A-100
TC + Pt100	4-20mA	1.5kV	LC5331A-321
TC + Pt100	4-20mA + HART	1.5kV	LC5335A-100

Not compatible with duplex version

For any other configuration, please contact us.

CONNECTIONS





DG/TG

THERMOCOUPLE

CLASS
1

IEC
584-1

SINGLE
OR
DUPLEX



DESCRIPTION

Interchangeable thermocouple element for use in TPS sensors. Equipped with support springs for anti-vibration mounting.

SPECIFICATIONS

Model	DG... / TG...					
Compliance with standards	IEC 584-1 / NF EN 60584-1					
Type	K	J	T	N		
Material	Inconel 600	316L	316L	Inconel 600	Pyrosil	
Class	1		2	1		
Sheath diameter (mm)	6 - 8					
Hot junction	Insulated/Earthed					
Thermocouple	Single / Duplex			Single		
Length L1 Min/Max (mm)	1 500					
Max. temp. (°C) of air in sensor sheath (without airflow) (theoretical)	Diam. 6 mm	1100°C	720°C	350°C	1000°C	1100°C
	Diam. 8 mm	1100°C	720°C	350°C	1100°C	1150°C

DESIGN YOUR SENSOR

CONFIGURATOR CODE

Parameters to be indicated when ordering

Reference in table and diagram	TYPE OF TERMINAL STRIP	ELEMENT TYPE	DIAMETER (mm)	TC TYPE	SHEATH TYPE	LENGTH L1 (MM)	HOT JUNCTION	OPTION	
	1		2	3	4	5		TRANSMITTER	TRANSMITTER SCALE
Possible choice	DIN ceramic terminal strip: D Socket for integrated transmitter: T	Single thermocouple: G1 Duplex thermocouple: G2	6 / 8	K - J T - N	316L: AC INCONEL 600: CM PYROSIL: DB	Max. 1,500 mm	Insulated: I (standard) Earthed: M	LC5334A-100: A LC5331A-321: B LC5335A-100: C	

DIAGRAM

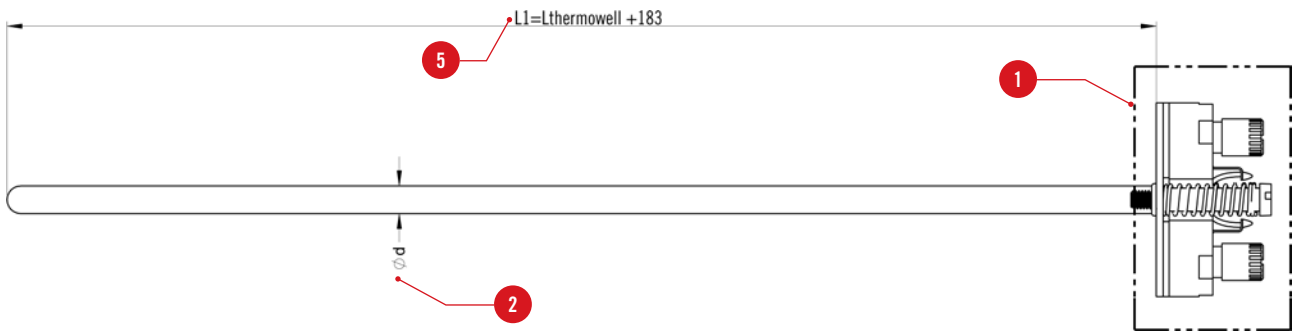


TABLE OF POSSIBLE ASSOCIATIONS

3 Class 1 thermocouple type	Sheath diameter (mm)	
	6	8
T (class 2)	316L	316L
J	316L	316L
K	INCONEL600	INCONEL600
	INCONEL600	-
N	PYROSIL	PYROSIL
	316L	316L
2J	316L	316L
2K	INCONEL600	INCONEL600

TRANSMITTER INFORMATION

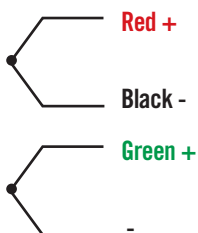
Transmitter			
Input	Output	Galvanic insulation	Reference
TC	4-20mA	1.5kV	LC5334A-100
TC + Pt100	4-20mA	1.5kV	LC5331A-321
TC + Pt100	4-20mA + HART	1.5kV	LC5335A-100

Not compatible with duplex version

For any other configuration, please contact us.

CONNECTION

Duplex thermocouple



Single thermocouple





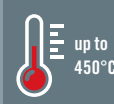
DS/TS

Pt100

CLASS
A

IEC
60751

SINGLE
OR
DUPLEX



DESCRIPTION

Interchangeable Pt100 element for use in TPS/SPS sensors. Equipped with support springs for anti-vibration mounting.

SPECIFICATIONS

Model	DS... / TS...
Compliance with standards	IEC 60751
Type	Pt100
Class	A
Mounting/Construction	1x3 wires / 1x4 wires / 2x2 wires / 2x3 wires
Sheath diameter (mm)	6 - 8
Min./Max. operating temp. (°C)	-40...+450°C
Sheath material	316L
Length L1 Min/Max (mm)	1,500

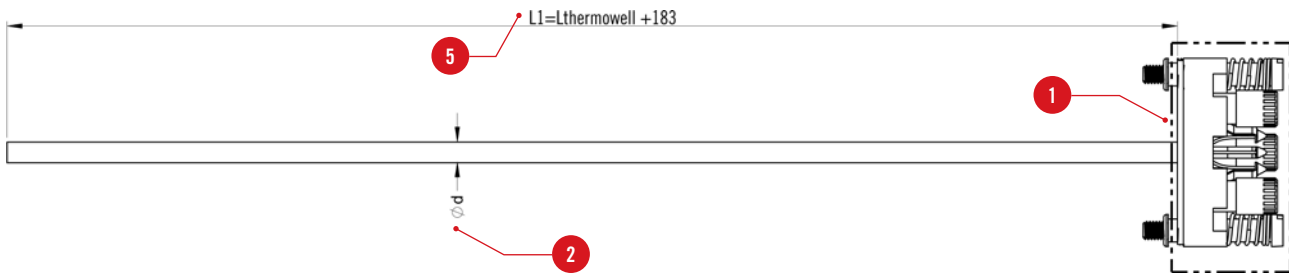
DESIGN YOUR SENSOR

CONFIGURATOR CODE

Parameters to be indicated when ordering

MODEL	TYPE OF TERMINAL STRIP	ELEMENT TYPE	∅ (mm)	MOUNTING	LENGTH L1 (mm)	TRANSMITTER	OPTION TRANSMITTER SCALE
DS/TS							
Reference in table and diagram	1	2	3	4	5	6	
Possible choice	DIN ceramic terminal strip: D Socket for integrated transmitter: T	Single Pt100: S1 Duplex Pt100: S2	6 / 8	1x2 or 2x2 wires: 2 1x3 or 2x3 wires: 3 1x4 wires: 4	Max. 1,500 mm	LC5333A-100: A LC5331A-321: B LC5335A-100: C	

DIAGRAM

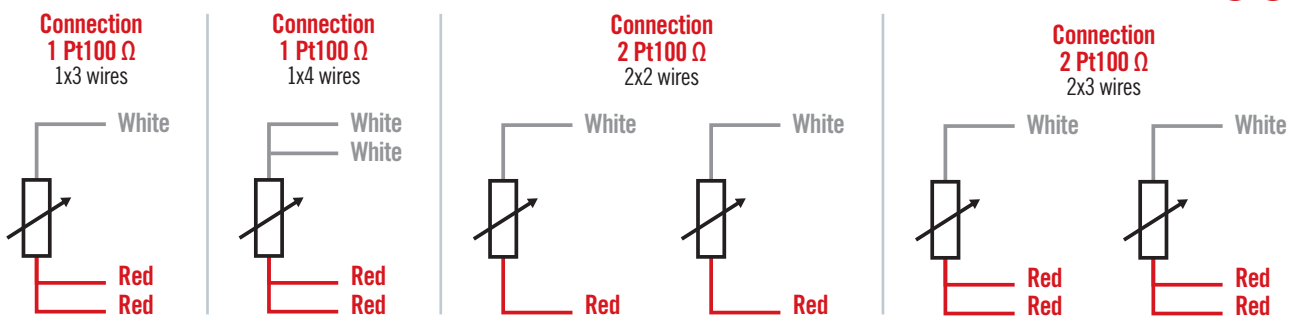


TRANSMITTER INFORMATION

Transmitter			
Input	Output	Galvanic insulation	Reference
Pt100	4-20mA	NONE	LC5333A-100
TC + Pt100	4-20mA	1.5kV	LC5331A-321
TC + Pt100	4-20mA + HART	1.5kV	LC5335A-100

Not compatible with duplex version

CONNECTIONS



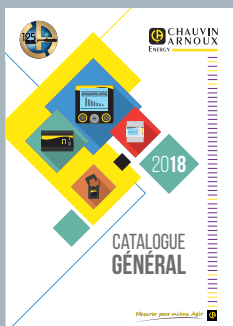
For any other configuration, please contact us.



CHAUVIN ARNOUX
190, rue Championnet
75876 Paris Cedex 18 - France
Tel. : +33 1 44 85 44 85
Fax : +33 1 46 27 07 48
info@chauvin-arnoux.fr
www.chauvin-arnoux.fr



CHAUVIN ARNOUX METRIX
190, rue Championnet
75876 Paris Cedex 18 - France
Tel. : +33 1 44 85 44 85
Fax : +33 1 46 27 07 48
info@chauvin-arnoux.fr
www.chauvin-arnoux.fr



CHAUVIN ARNOUX ENERGY
16, rue Georges Besse
92182 Antony Cedex - France
Tel. : +33 1 75 60 10 30
Fax : +33 1 46 66 62 54
info@enerdis.fr
www.chauvin-arnoux-energy.com



MANUMESURE
9, allée Jean Prouvé
92110 Clichy - France
Tel. : +33 1 75 61 01 80
Fax : +33 1 47 33 28 02
info@manumasure.fr
www.manumasure.fr

YOUR CONTACTS

FRANCE
SOUTH-WEST SECTOR
Telephone: +33 (0)4 72 14 16 31
sud.est@pyrocontrole.com

WEST SECTOR
Telephone: +33 (0)4 81 76 02 55
ouest@pyrocontrole.com

ILE-DE-FRANCE/NORTH-EAST SECTOR
Telephone: +33 (0)4 81 76 02 54
idf.nord.est@pyrocontrole.com

INTERNATIONAL
PYROCONTROLE EXPORT DEPARTMENT
Telephone: +33 (0)4 72 14 15 40
export@pyrocontrole.com

10 SUBSIDIARIES WORLDWIDE

GERMANY
CHAUVIN ARNOUX GMBH
Ohmstraße 1
77694 KEHL / RHEIN
Tel.: +49 7851 99 26-0
Fax: +49 7851 99 26-60
info@chauvin-arnoux.de
www.chauvin-arnoux.de

AUTRICHE
CHAUVIN ARNOUX GES.M.B.H
Slamastrasse 29/2/4
1230 WIEN
Tel. : +43 1 61 61 9 61
Fax : +43 1 61 61 9 61-61
vie-office@chauvin-arnoux.at
www.chauvin-arnoux.at

CHINA
SHANGHAI PU-JIANG ENERDIS INSTRUMENTS CO. LTD
N° 381 Xiang De Road
3 Floor, Building 1
200081 SHANGHAI
Tel. : +86 21 65 21 51 96
Fax : +86 21 65 21 61 07
info@chauvin-arnoux.com.cn

SPAIN
CHAUVIN ARNOUX IBÉRICA SA
C/ Roger de Flor N°293
1a Planta
08025 BARCELONA
Tel. : +34 902 20 22 26
Fax : +34 934 59 14 43
info@chauvin-arnoux.es
www.chauvin-arnoux.es

ITALY
AMRA SPA
Via Sant' Ambrogio, 23
20846 MACHERIO (MB)
Tel. : +39 039 245 75 45
Fax : +39 039 481 561
info@amra-chauvin-arnoux.it
www.chauvin-arnoux.it

MIDDLE EAST
CHAUVIN ARNOUX MIDDLE EAST
PO Box 60-154
1241 2020 JAL EL DIB
(Beirut) - LEBANON
Tel. : +961 1 890 425
Fax : +961 1 890 424
camie@chauvin-arnoux.com
www.chauvin-arnoux.com

UNITED KINGDOM
CHAUVIN ARNOUX LTD
Unit 1 Nelson Ct, Flagship Sq
Shaw Cross Business Pk, Dewsbury
West Yorkshire - WF12 7TH
Tel. : +44 1924 460 494
Fax : +44 1924 455 328
info@chauvin-arnoux.co.uk
www.chauvin-arnoux.com

SCANDINAVIA
CA MÄTSYSTEM AB
Sjöflygvägen 35
SE-183 62 TABY
Tel. : +46 8 50 52 68 00
Fax : +46 8 50 52 68 10
info@camatsystem.com
www.camatsystem.com

SWITZERLAND
CHAUVIN ARNOUX AG
Moosacherstrasse 15
8804 AU / ZH
Tel. : +41 44 727 75 55
Fax : +41 44 727 75 56
info@chauvin-arnoux.ch
www.chauvin-arnoux.ch

USA
CHAUVIN ARNOUX INC
d.b.a AEMC Instruments
15 Faraday Drive
Dover - NH 03820
Tel. : +1 (800) 945-2362
Fax : +1 (603) 742-2346
sales@aemc.com
www.aemc.com

FRANCE
PYROCONTROLE
6 bis, av du Docteur Schweitzer
69881 Meyzieu Cedex - France
Tel. : +33 4 72 14 15 40
Fax : +33 4 72 14 15 41
info@pyrocontrole.com
www.pyrocontrole.com

MIDDLE EAST
Chauvin Arnoux Middle East
P.O. BOX 60-154
1241 2020 JAL EL DIB -
LEBANON
Tel: +961 1 890 425
Fax: +961 1 890 424
camie@chauvin-arnoux.com
www.chauvin-arnoux.com

UNITED KINGDOM
Chauvin Arnoux Ltd
Unit 1 Nelson Ct, Flagship Sq,
Shaw Cross Business Pk
Dewsbury, West Yorkshire -
WF12 7TH
Tel: +44 1924 460 494
Fax: +44 1924 455 328
info@chauvin-arnoux.co.uk
www.chauvin-arnoux.com