



G1/2"

G1/2"

85

≈ 75

≈ 82

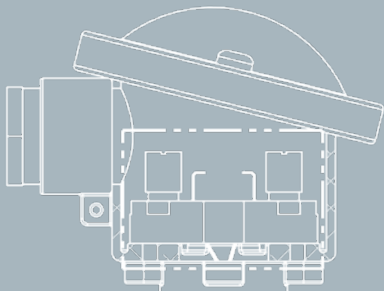
∅ 6

33

∅ 44

SENSORS CATALOGUE

TEMPERATURE MEASUREMENT IN INDUSTRIAL ENVIRONMENTS



∅ 1/2"

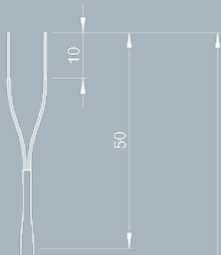
1/2

≈ 35

L3

L2

R45 ≥ ∅ 1/2"
R60 ≥ ∅ 3/4"



10

50

2000

PG7

∅ 18

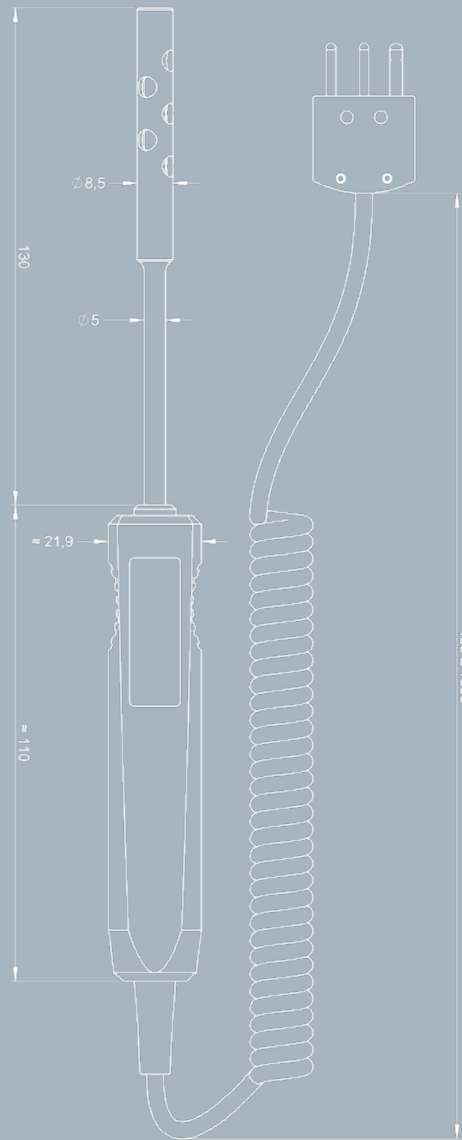
80

100

∅ 15

∅ 6,5

5



∅ 8,5

∅ 5

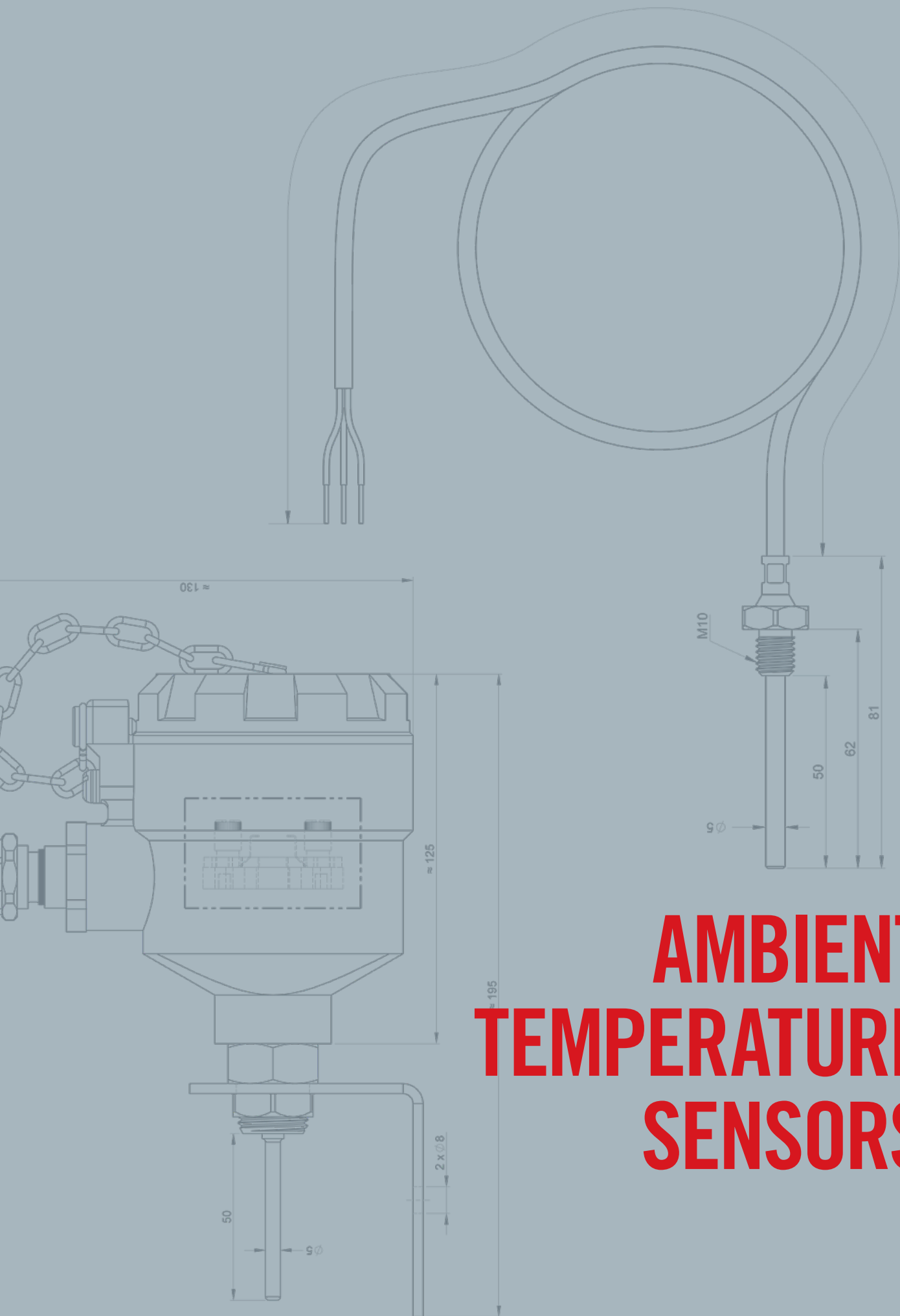
130

≈ 21,9

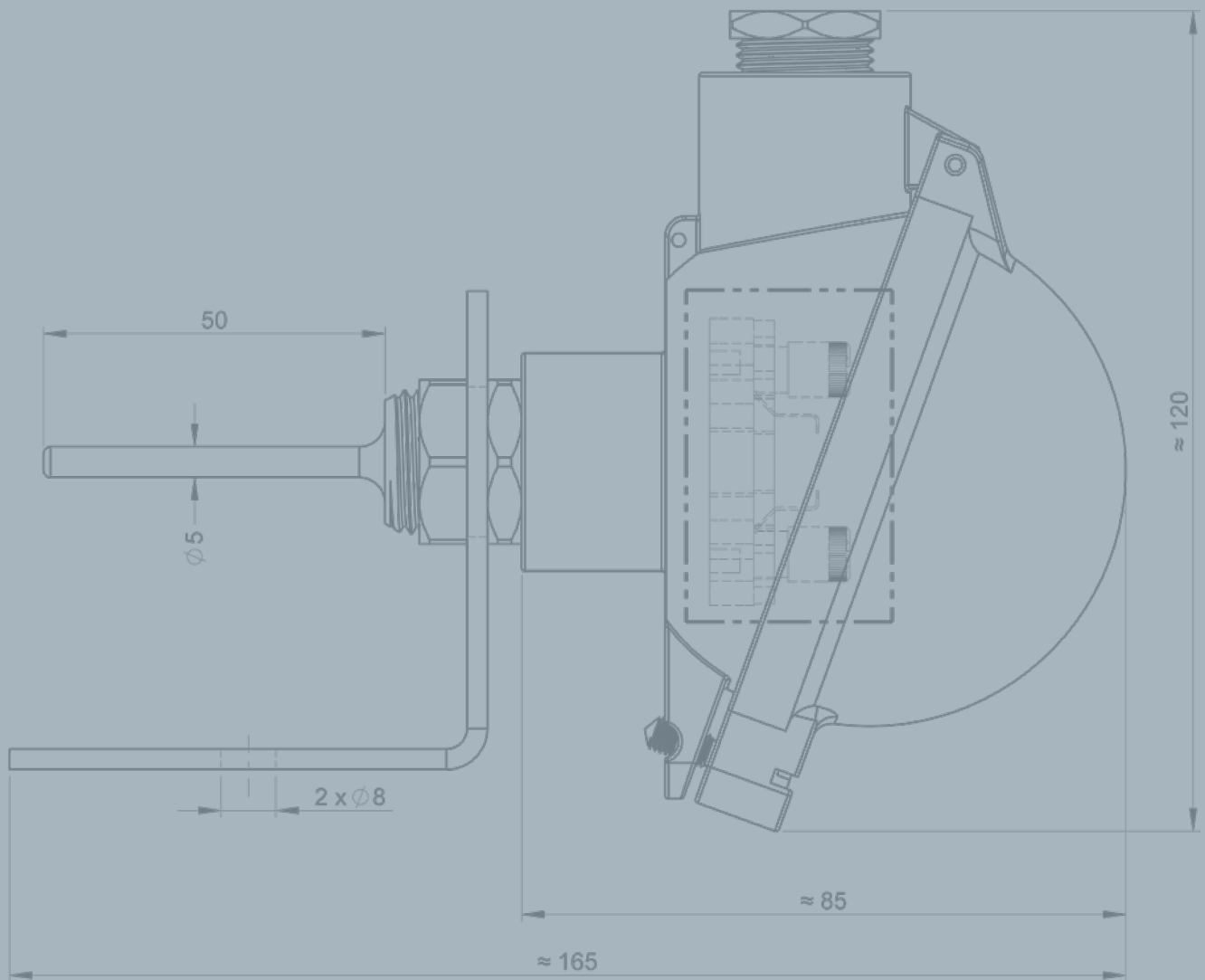
≈ 110

450 à 1000





AMBIENT TEMPERATURE SENSORS



AMBIENT TEMPERATURE SENSORS

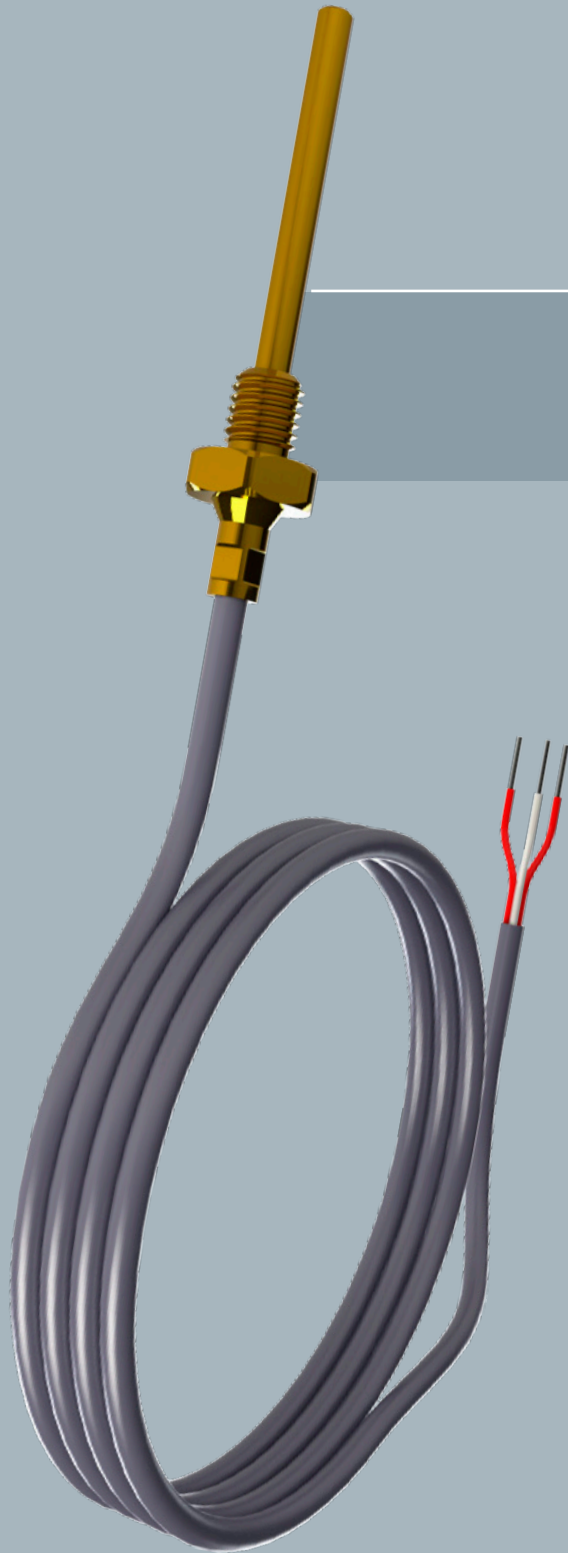
154

- SA1 - OUTPUT VIA CABLE 154
- SA2 - INDOOR WALL MOUNTING. 156
- SA3 - OUTDOOR WALL MOUNTING. 158

ATEX AMBIENT TEMPERATURE SENSORS

160

- SA4 - Ex d 160
- SA5 - Ex ia 162

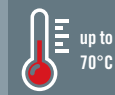


SA1

Pt100

CLASS
A

IEC
60751



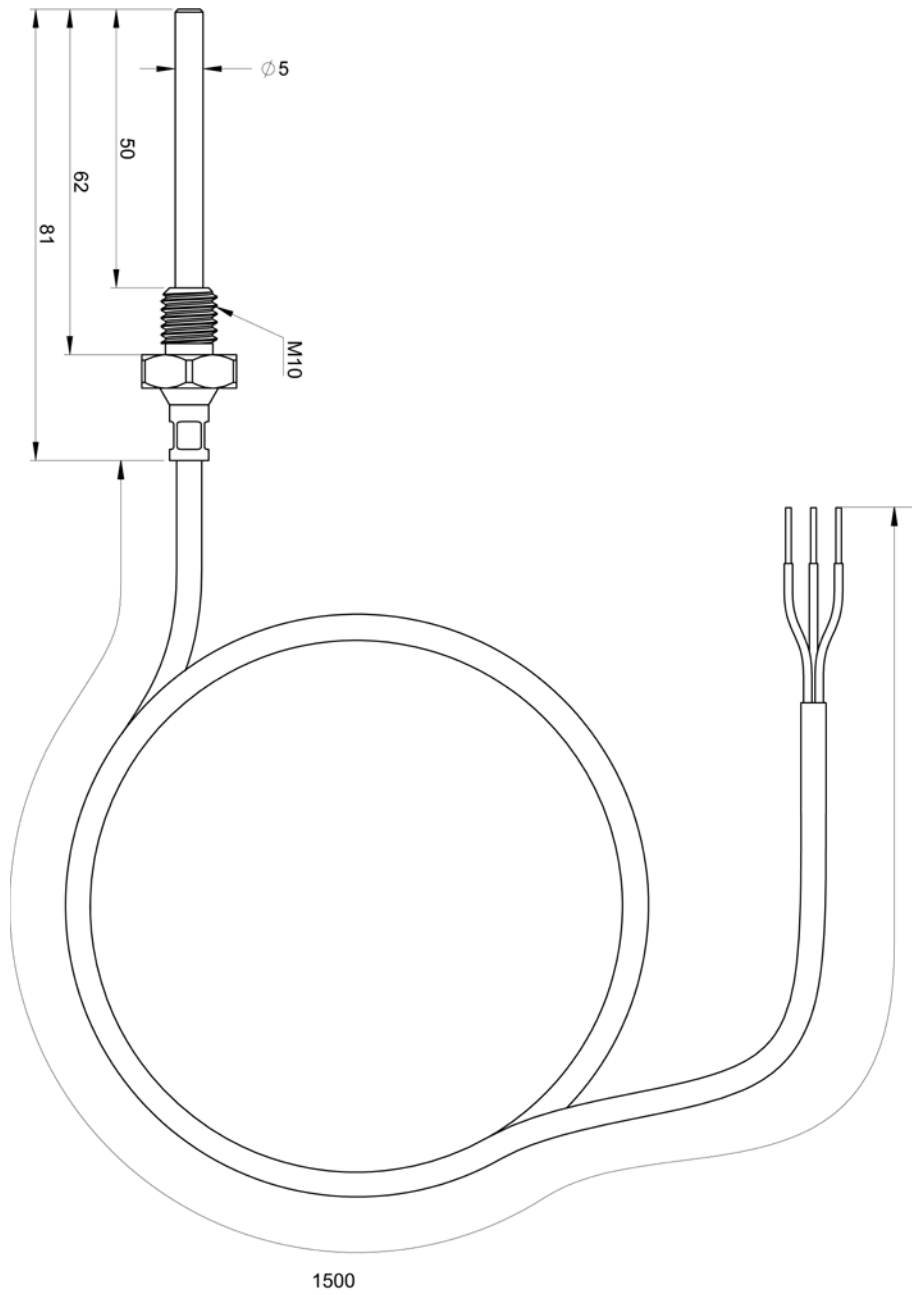
DESCRIPTION

Ambient temperature sensor with cable output.

SPECIFICATIONS

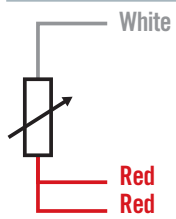
Model	SA1	
Compliance with standards	IEC 60751	
Type	Pt100 Ω	
Class	A	
Mounting / Construction	1x3 wires	
Protective tube	Material	Brass
	Diameter (mm)	5
	Length L (mm)	50
Operating temp. (°C)	-30...+70°C	
Output	Sheath	PVC
	Diameter (mm)	4.2 mm
	Max. temperature	105°C
	Conductors	3 x 0.22 mm ²
	Length L (mm)	2,000
	Termination	Insulated bare wires
Fastening	Fitting M10x1.5	
Reference	L919254-001	

DIAGRAM



CONNECTION

For any other configuration, please contact us.



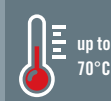
SA2

Pt100



CLASS
A

IEC
60751



WALL
MOUNTING

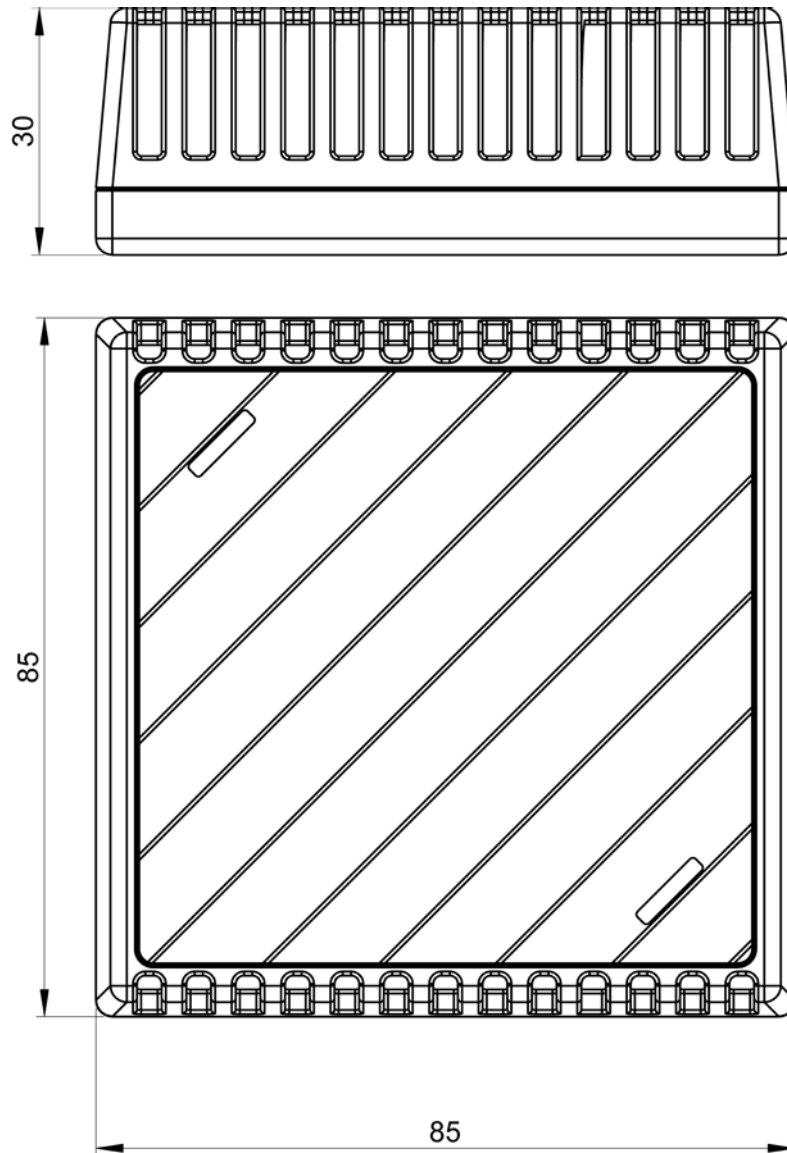
DESCRIPTION

Ambient temperature sensor in wall-mounted box for indoor use.

SPECIFICATIONS

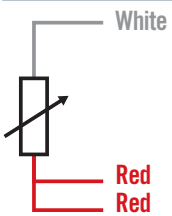
Model	SA2	
Compliance with standards	IEC 60751	
Type	Pt100 Ω	
Class	A	
Mounting / Construction	1x3 wires	
Operating temp. (°C)	-30...+70°C	
Casing	Material	Plastic
	Dimensions (Lxwxh) (mm)	85 x 85 x 30 mm
	Connection	Screw terminal strip
	Fastening	Wall-mounting
	Option	Version with transmitter, 4-20mA output (scale: -30°C / +70°C)
References	Without transmitter: L915461-000 With transmitter: L918856-001	

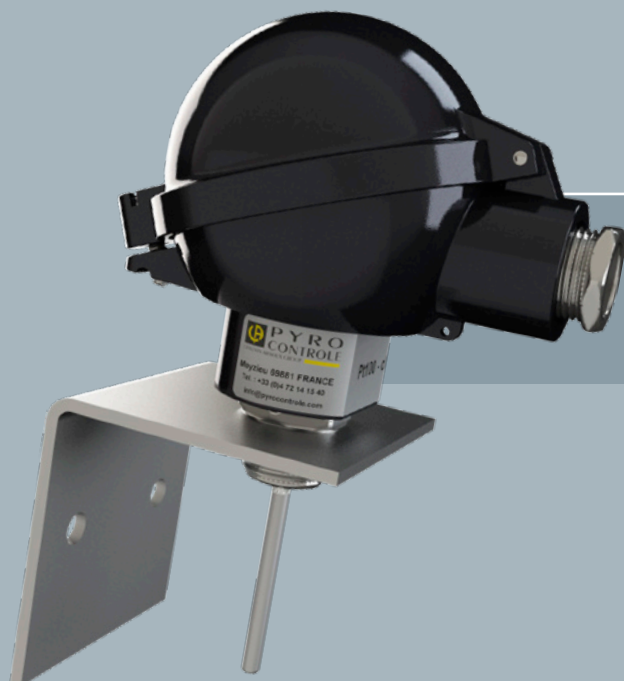
DIAGRAM



CONNECTION

For any other configuration, please contact us.





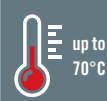
SA3

Pt100

CLASS
A

IEC
60751

IP
65



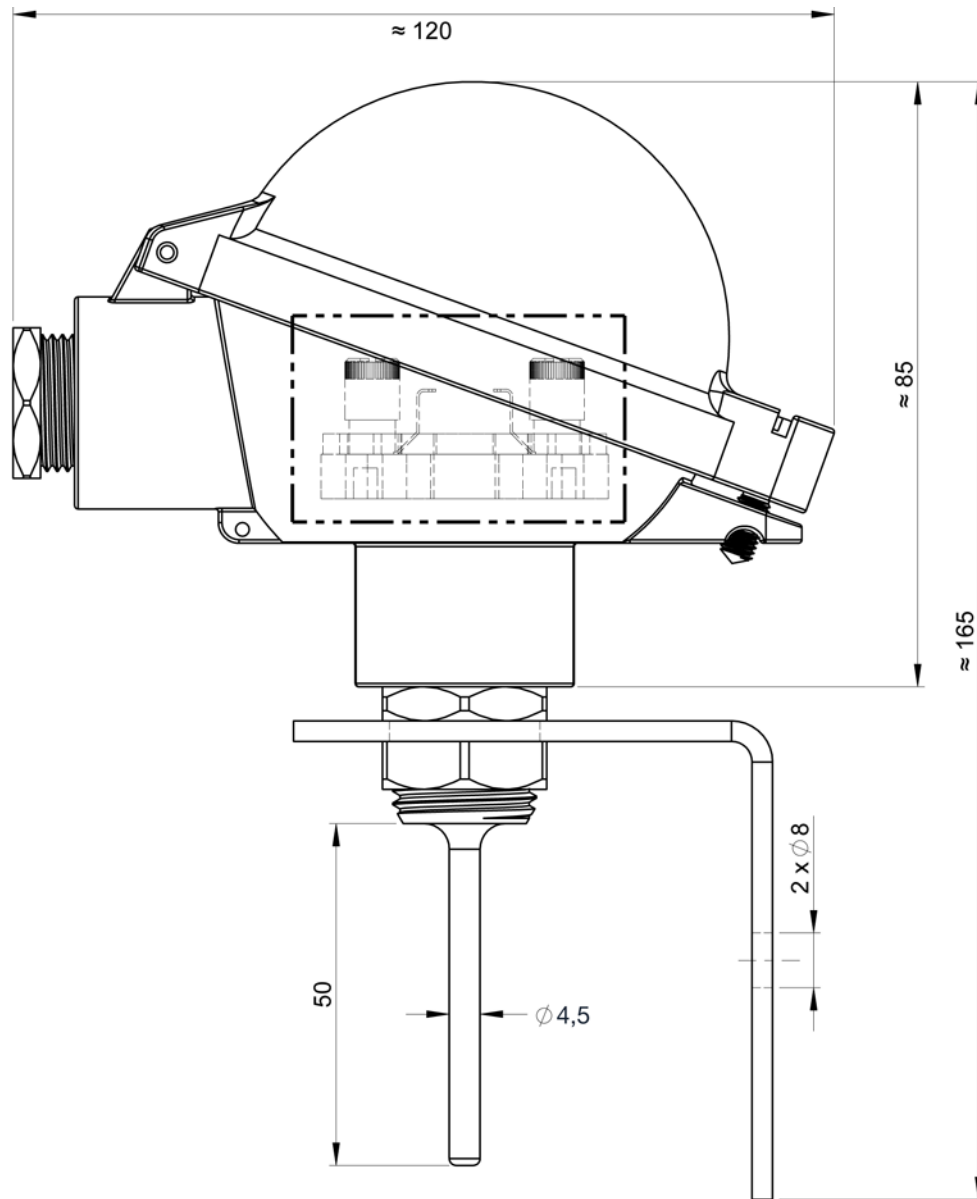
DESCRIPTION

Ambient temperature sensor in IP65 head for outdoor use.

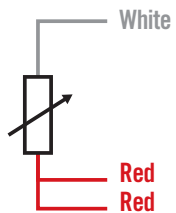
SPECIFICATIONS

Model	SA3	
Compliance with standards	IEC 60751	
Type	Pt100 Ω	
Class	A	
Mounting / Construction	1x3 wires	
Operating temp. (°C)	-30...+70°C	
Protective tube	Material	Stainless steel 316L
	Diameter (mm)	4.5mm
	Length L (mm)	50 mm
Head	Type	DAN-V, light alloy, IP65
	Output	Cable gland M20x1.5
	Connection	Ceramic terminal strip, 3 wires
	Fastening	Wall-mounting with stainless-steel bracket with 2 holes 8 mm in diameter
	Option	Version with transmitter, 4-20mA output (scale: -30°C / +70°C)
References	Without transmitter: L919253-001 With transmitter: L919253-002	

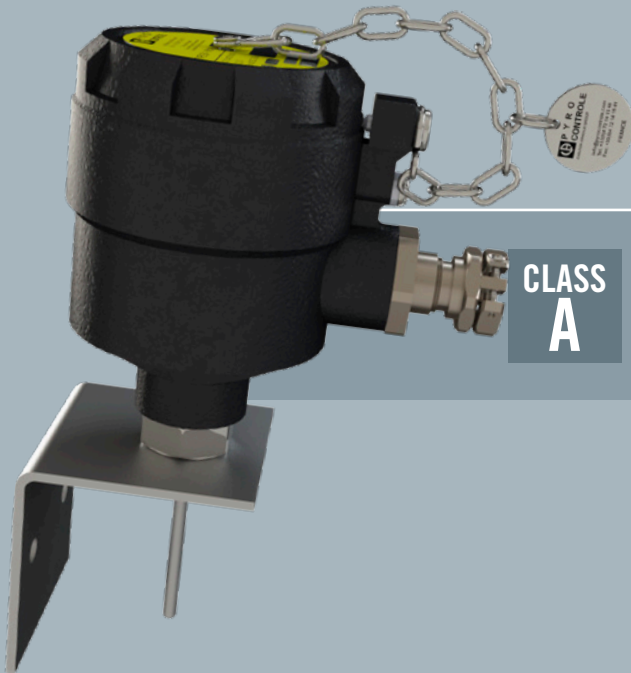
DIAGRAM



CONNECTION



For any other configuration, please contact us.



SA4

Pt100

**CLASS
A**

**IEC
60751**

**IP
65**


ADF



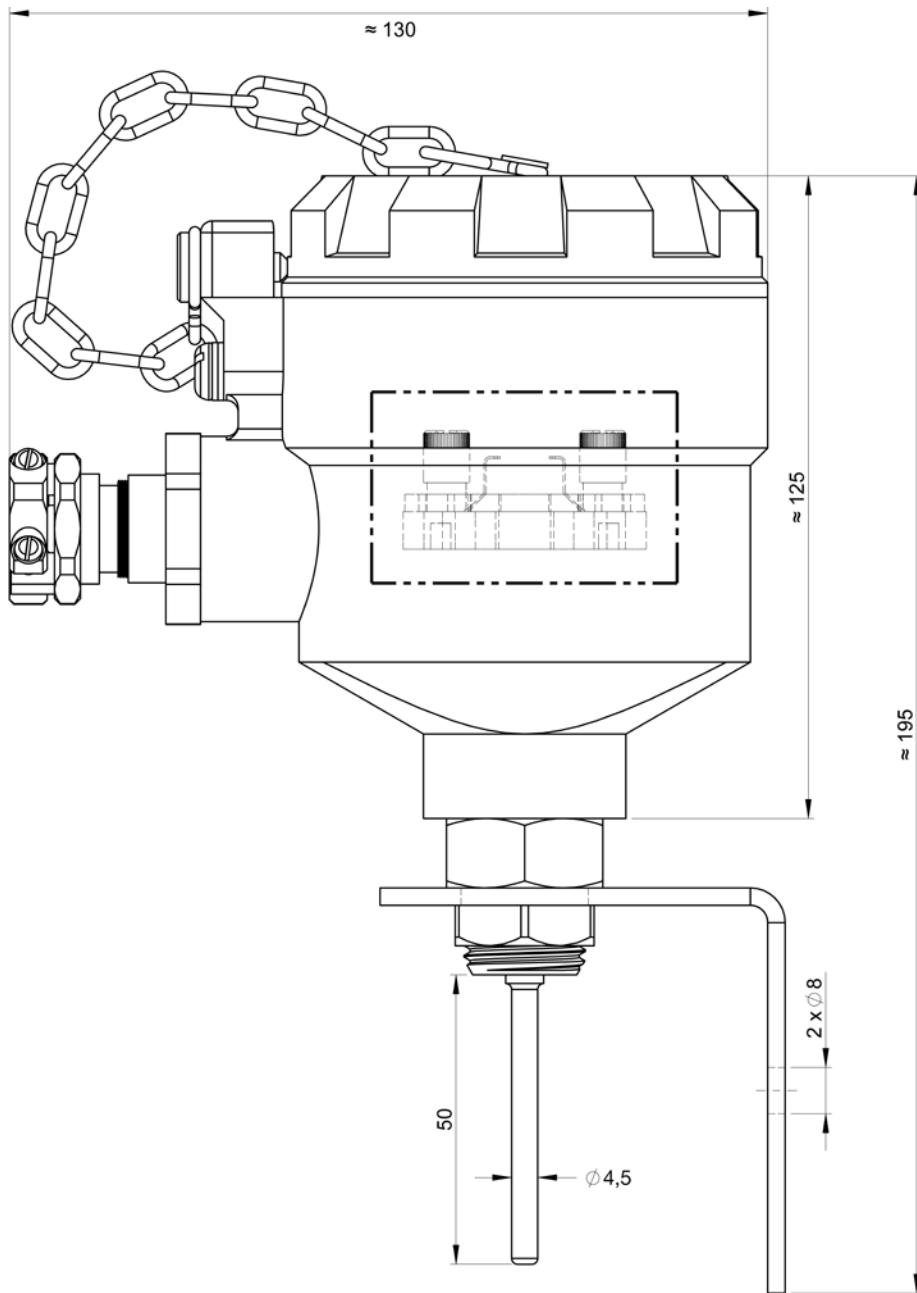
DESCRIPTION

Ambient temperature sensor in IP65 head for outdoor use.

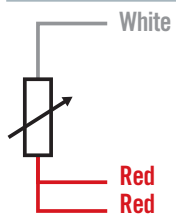
SPECIFICATIONS

Model	SA4	
Compliance with standards	IEC 60751 / EN 60079-0 : 2012 + A11:2013	
Marking as per directive 2014/34/EU	 II 2 GD - Ex db IIC T6 Gb Ex tb IIIC T85°C Db IP6X Do not open when live. Do not open in dusty atmospheres	
CE type inspection certificate	LCIE 15ATEX3007 X IECEX LCIE 15.0015 X	
Type	Pt100 Ω	
Class	A	
Mounting / Construction	1 x 3 wires	
Operating temp. (°C)	-30...+70°C	
Protective tube	Material	Stainless steel 316L
	Diameter (mm)	4.5mm
	Length L (mm)	50 mm
Head	Type	PSX, light alloy, IP65
	Output	Cable gland ATEX M 20 x 1.5
	Connection	Ceramic terminal strip, 3 wires
	Fastening	Wall-mounting with stainless-steel bracket with 2 holes 8 mm in diameter
	Option	Version with transmitter, output 4-20mA (scale: -30°C / +70°C)
References	Without transmitter: L919186-001 With transmitter: L919186-002	

DIAGRAM



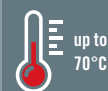
CONNECTION



For any other configuration, please contact us.

SA5

Pt100


**CLASS
A**
**IEC
60751**
**IP
65**
**WALL
MOUNTING**
**INTRINSIC
SAFETY**


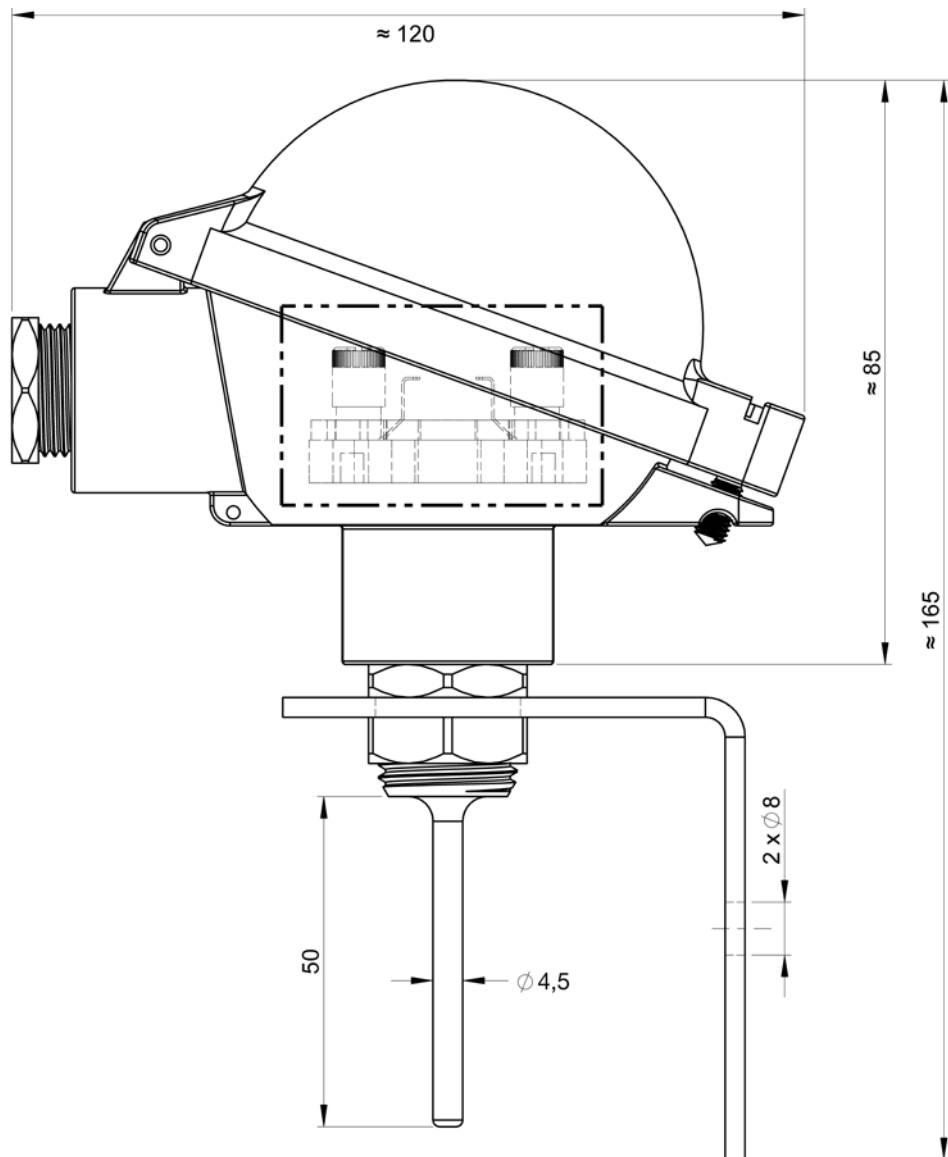
DESCRIPTION

Ambient temperature sensor in ATEX (Ex ia) IP65 head for indoor/outdoor use and use in presence of explosive atmospheres.

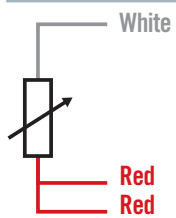
SPECIFICATIONS

Model	SA5	
Compliance with standards	IEC 60751 / EN 60079-0 : 2012 + A11:2013	
Marking as per directive 2014/34/EU	⚠ II 1 GD Ex ia IIC T4...T6 Ga Ex ia IIC T135°C...T85°C Da	
CE type inspection certificate	LCIE 15ATEX3007 X IECEX LCIE 15.0015 X	
Type	Pt100 Ω	
Class	A	
Mounting / Construction	1 x 3 wires	
Operating temp. (°C)	-30...+70°C	
Protective tube	Material	Stainless steel 316L
	Diameter (mm)	4.5mm
	Length L (mm)	50 mm
Head	Type	DAN-Vi, light alloy, IP65
	Output	Cable gland ATEX M 20 x 1.5
	Connection	Ceramic terminal strip, 3 wires
	Fastening	Wall-mounting with stainless-steel bracket with 2 holes 8 mm in diameter
	Option	Version with transmitter, output 4-20mA (scale: -30°C / +70°C)
References	Without transmitter: L919252-001 With transmitter: L919252-002	

DIAGRAM



CONNECTION



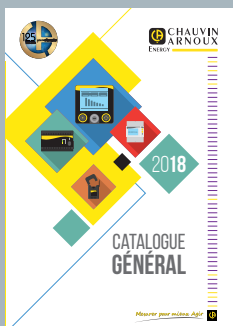
For any other configuration, please contact us.



CHAUVIN ARNOUX
190, rue Championnet
75876 Paris Cedex 18 - France
Tel. : +33 1 44 85 44 85
Fax : +33 1 46 27 07 48
info@chauvin-arnoux.fr
www.chauvin-arnoux.fr



CHAUVIN ARNOUX METRIX
190, rue Championnet
75876 Paris Cedex 18 - France
Tel. : +33 1 44 85 44 85
Fax : +33 1 46 27 07 48
info@chauvin-arnoux.fr
www.chauvin-arnoux.fr



CHAUVIN ARNOUX ENERGY
16, rue Georges Besse
92182 Antony Cedex - France
Tel. : +33 1 75 60 10 30
Fax : +33 1 46 66 62 54
info@enerdis.fr
www.chauvin-arnoux-energy.com



MANUMESURE
9, allée Jean Prouvé
92110 Clichy - France
Tel. : +33 1 75 61 01 80
Fax : +33 1 47 33 28 02
info@manumasure.fr
www.manumasure.fr

YOUR CONTACTS

FRANCE
SOUTH-WEST SECTOR
Telephone: +33 (0)4 72 14 16 31
sud.est@pyrocontrole.com

WEST SECTOR
Telephone: +33 (0)4 81 76 02 55
ouest@pyrocontrole.com

ILE-DE-FRANCE/NORTH-EAST SECTOR
Telephone: +33 (0)4 81 76 02 54
idf.nord.est@pyrocontrole.com

INTERNATIONAL
PYROCONTROLE EXPORT DEPARTMENT
Telephone: +33 (0)4 72 14 15 40
export@pyrocontrole.com

10 SUBSIDIARIES WORLDWIDE

GERMANY
CHAUVIN ARNOUX GMBH
Ohmstraße 1
77694 KEHL / RHEIN
Tel.: +49 7851 99 26-0
Fax: +49 7851 99 26-60
info@chauvin-arnoux.de
www.chauvin-arnoux.de

AUTRICHE
CHAUVIN ARNOUX GES.M.B.H
Slamastrasse 29/2/4
1230 WIEN
Tel. : +43 1 61 61 9 61
Fax : +43 1 61 61 9 61-61
vie-office@chauvin-arnoux.at
www.chauvin-arnoux.at

CHINA
SHANGHAI PU-JIANG ENERDIS INSTRUMENTS CO. LTD
N° 381 Xiang De Road
3 Floor, Building 1
200081 SHANGHAI
Tel. : +86 21 65 21 51 96
Fax : +86 21 65 21 61 07
info@chauvin-arnoux.com.cn

SPAIN
CHAUVIN ARNOUX IBÉRICA SA
C/ Roger de Flor N°293
1a Planta
08025 BARCELONA
Tel. : +34 902 20 22 26
Fax : +34 934 59 14 43
info@chauvin-arnoux.es
www.chauvin-arnoux.es

ITALY
AMRA SPA
Via Sant' Ambrogio, 23
20846 MACHERIO (MB)
Tel. : +39 039 245 75 45
Fax : +39 039 481 561
info@amra-chauvin-arnoux.it
www.chauvin-arnoux.it

MIDDLE EAST
CHAUVIN ARNOUX MIDDLE EAST
PO Box 60-154
1241 2020 JAL EL DIB
(Beirut) - LEBANON
Tel. : +961 1 890 425
Fax : +961 1 890 424
camie@chauvin-arnoux.com
www.chauvin-arnoux.com

UNITED KINGDOM
CHAUVIN ARNOUX LTD
Unit 1 Nelson Ct, Flagship Sq
Shaw Cross Business Pk, Dewsbury
West Yorkshire - WF12 7TH
Tel. : +44 1924 460 494
Fax : +44 1924 455 328
info@chauvin-arnoux.co.uk
www.chauvin-arnoux.com

SCANDINAVIA
CA MÄTSYSTEM AB
Sjöflygvägen 35
SE-183 62 TABY
Tel. : +46 8 50 52 68 00
Fax : +46 8 50 52 68 10
info@camatsystem.com
www.camatsystem.com

SWITZERLAND
CHAUVIN ARNOUX AG
Moosacherstrasse 15
8804 AU / ZH
Tel. : +41 44 727 75 55
Fax : +41 44 727 75 56
info@chauvin-arnoux.ch
www.chauvin-arnoux.ch

USA
CHAUVIN ARNOUX INC
d.b.a AEMC Instruments
15 Faraday Drive
Dover - NH 03820
Tel. : +1 (800) 945-2362
Fax : +1 (603) 742-2346
sales@aemc.com
www.aemc.com

FRANCE
PYROCONTROLE
6 bis, av du Docteur Schweitzer
69881 Meyzieu Cedex - France
Tel. : +33 4 72 14 15 40
Fax : +33 4 72 14 15 41
info@pyrocontrole.com
www.pyrocontrole.com

MIDDLE EAST
Chauvin Arnoux Middle East
P.O. BOX 60-154
1241 2020 JAL EL DIB -
LEBANON
Tel: +961 1 890 425
Fax: +961 1 890 424
camie@chauvin-arnoux.com
www.chauvin-arnoux.com

UNITED KINGDOM
Chauvin Arnoux Ltd
Unit 1 Nelson Ct, Flagship Sq,
Shaw Cross Business Pk
Dewsbury, West Yorkshire -
WF12 7TH
Tel: +44 1924 460 494
Fax: +44 1924 455 328
info@chauvin-arnoux.co.uk
www.chauvin-arnoux.com