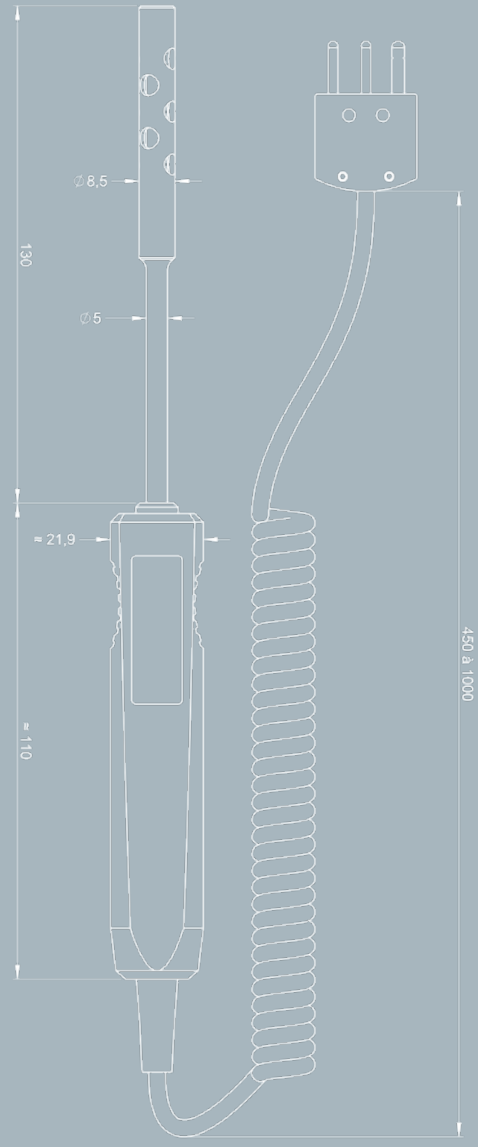
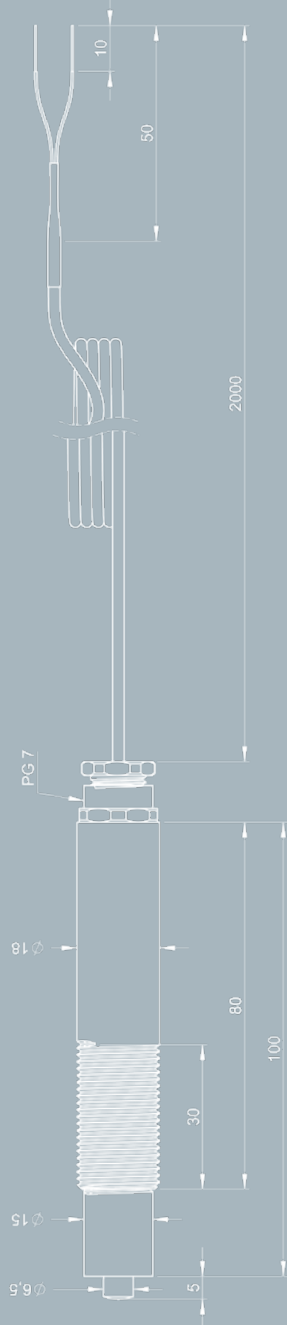
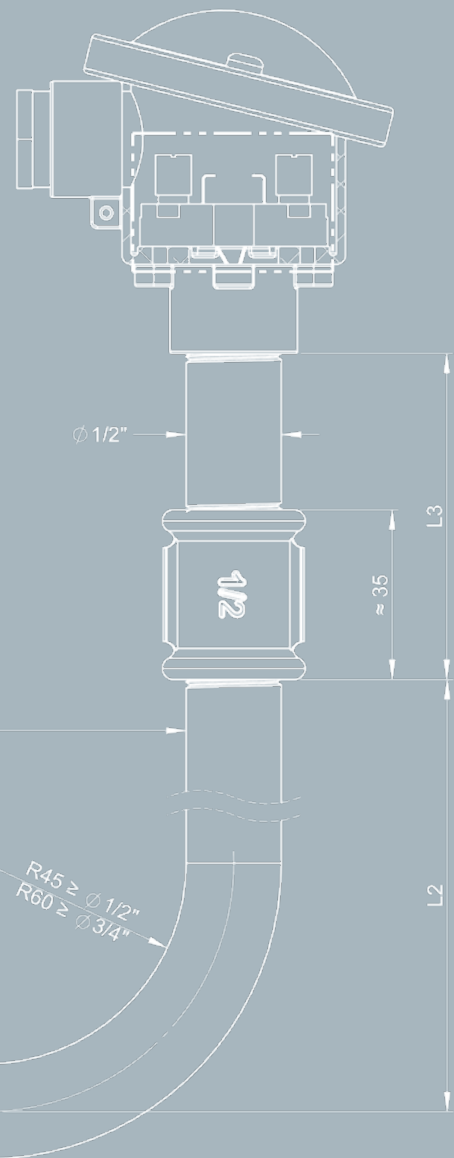
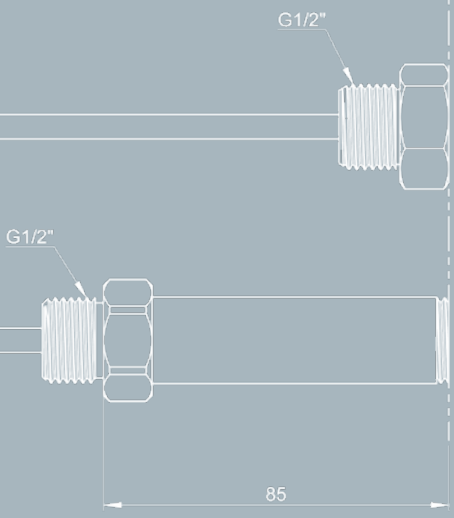


SENSORS CATALOGUE

TEMPERATURE MEASUREMENT IN INDUSTRIAL ENVIRONMENTS



2000

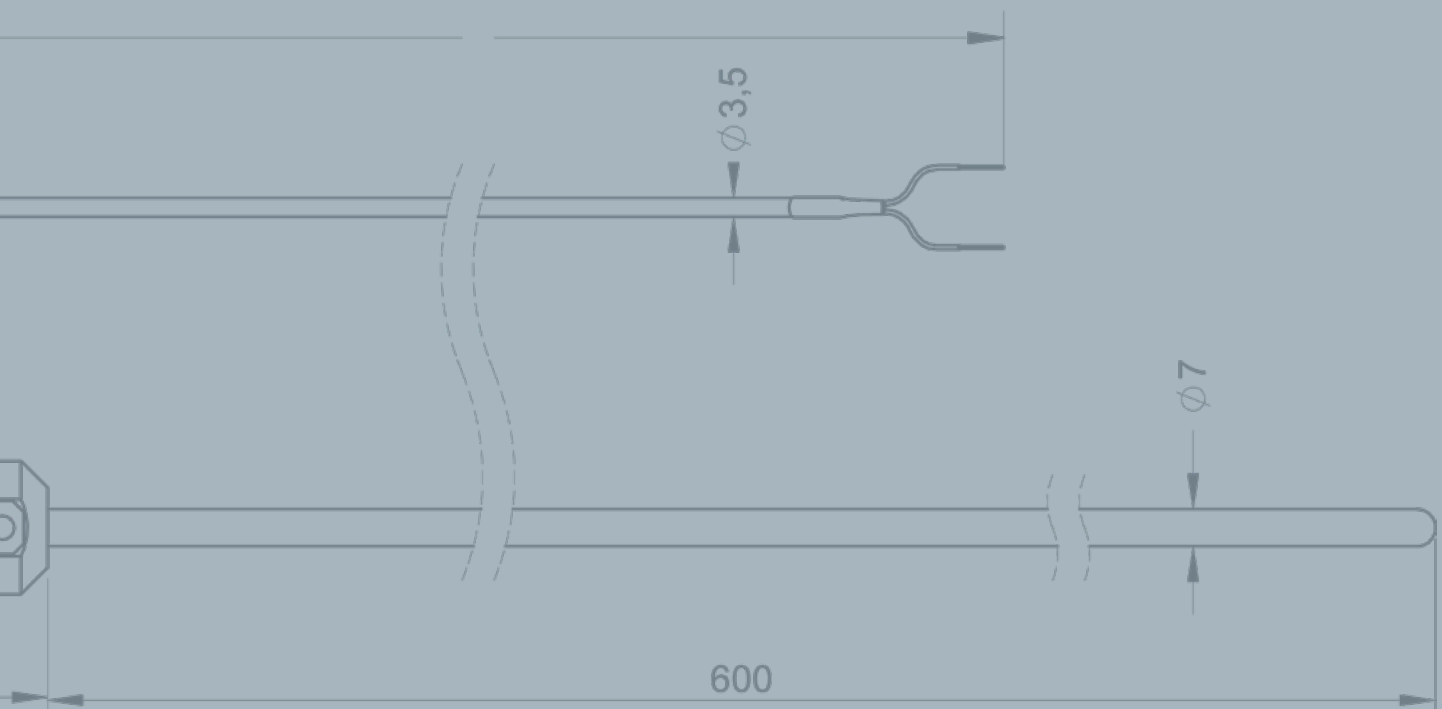
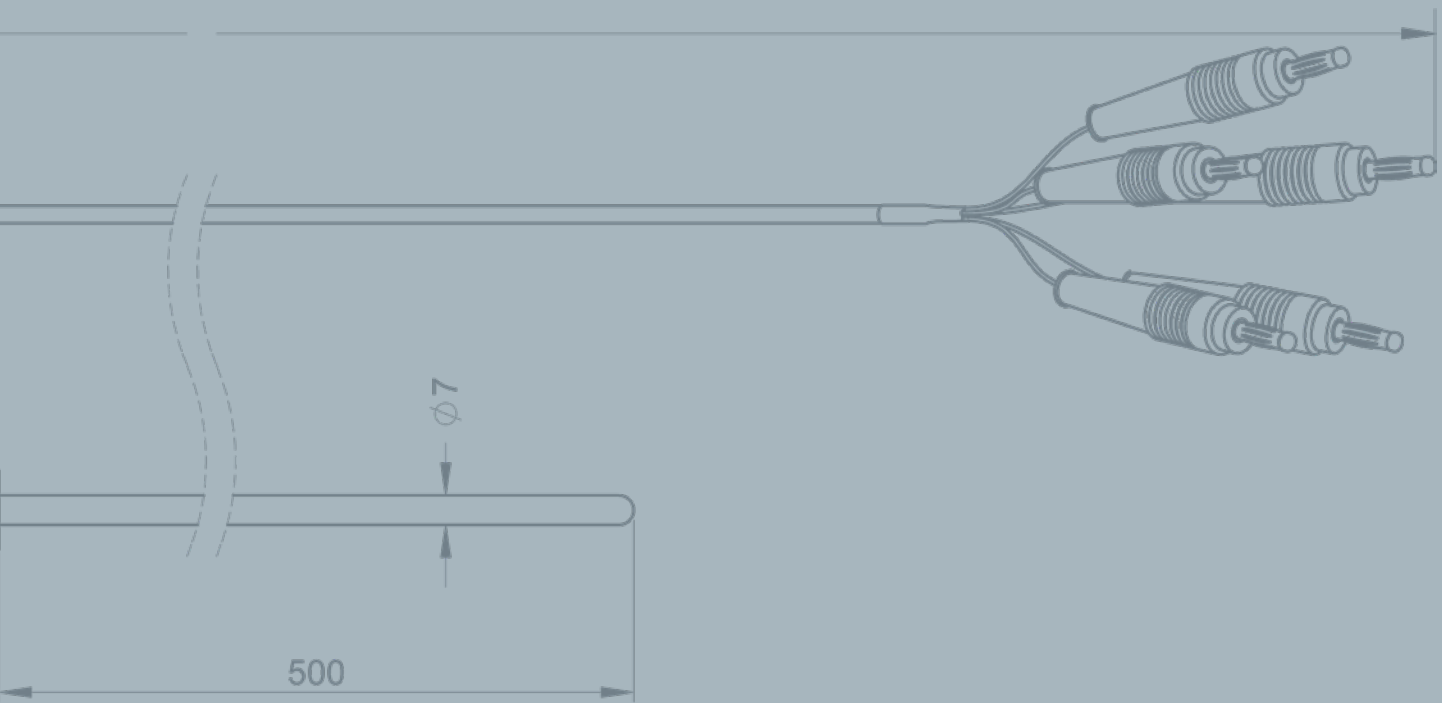
108

750

Ø 25

100

STANDARD REFERENCE SENSORS



REFERENCE STANDARDS

282

ETR

SECONDARY STANDARDS

284

ETT



ETR

PT100 & THERMOCOUPLE

CLASS
A

IEC
60751

NF EN
60584-1



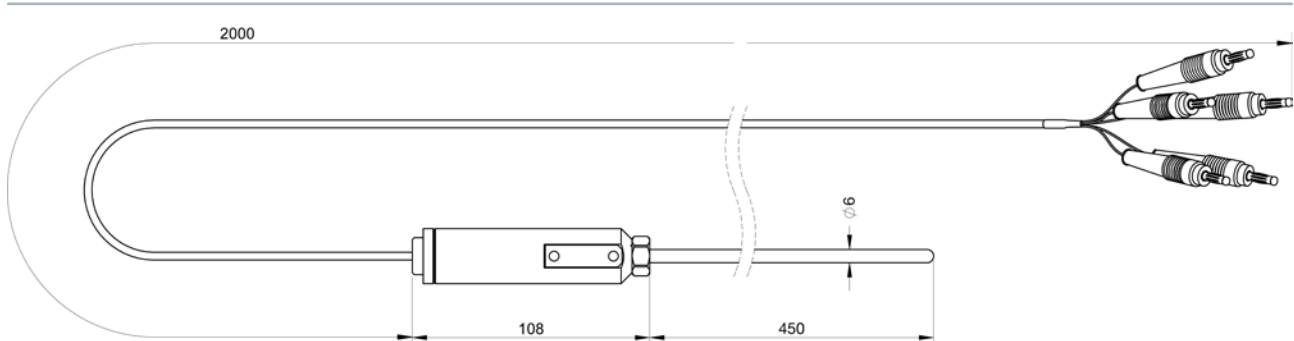
DESCRIPTION

These **reference standards**, used only in laboratories, enable you to perform calibration with a good level of uncertainty (schedule periodic calibration by a COFRAC-accredited laboratory). Delivered in a case with a certificate of calibration by comparison or at the ITS fixed points: please contact us for details.

SPECIFICATIONS

	ETR-PT Pt100 sensor	S thermocouples Model LNE S80
Ranges	-100°C to +450°C	0°C à +1554°C
Resistance at 0°C	100 Ω	-
Stability	Up to 0.05°C	-
Measuring current	1 mA	-
Diameter and length of sensing element	6 x 450 mm	-
Interchangeability class	Class A as per IEC 60751	-
Calibration certificate	by comparison	
Produced under licence	-	LNE
Material	-	10% rhodium-platinum / pure platinum
Dimensions	-	7 mm x 650 mm
Accessories	Delivered in a case	

DIAGRAM



TO ORDER

Pt100 sensor

Delivered in a case with a certificate of calibration by comparison.

Possibility of an emf/temperature correspondence table for each degree: please contact us.

Domain	Reproducibility	Code
-100 °C to +450 °C	≤ 10mΩ (or ≤ 26mK)	L918746-001

S thermocouples

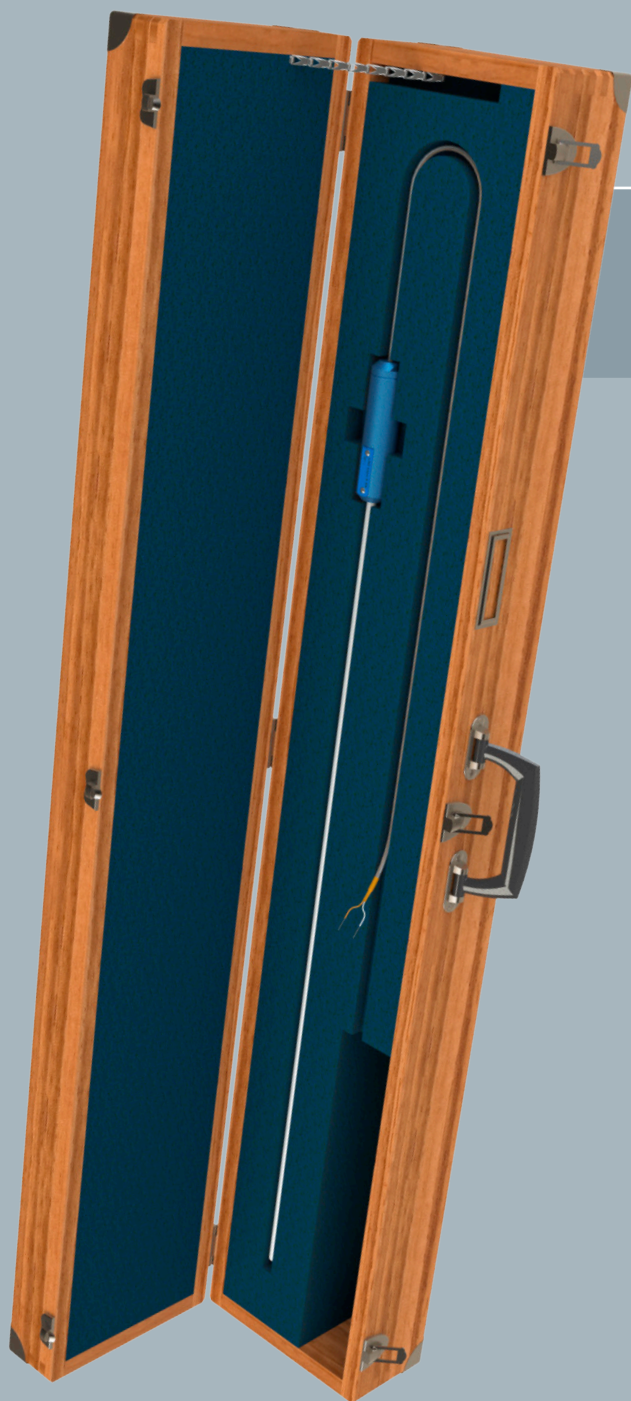
Reference standard

Model BNM-LNE S80: 0 °C to 1,554 °C

Delivered in a case with a **certificate of calibration** by comparison (7 points: 400, 600, 800, 1,000, 1,200, 1,400 and 1,500 °C) or at the IT **fixed points**.

Possibility of an emf/temperature correspondence table for each degree: please contact us.

Related service	Model	Code
Without calibration	BNM-LNE S80	L968081-000
Calibration by comparison	BNM-LNE S80	L968081-001
Fixed-point calibration	BNM-LNE S80	L968081-002



ETT

PT100 & THERMOCOUPLE

CLASS
A

IEC
60751

NF EN
60584-1



DESCRIPTION

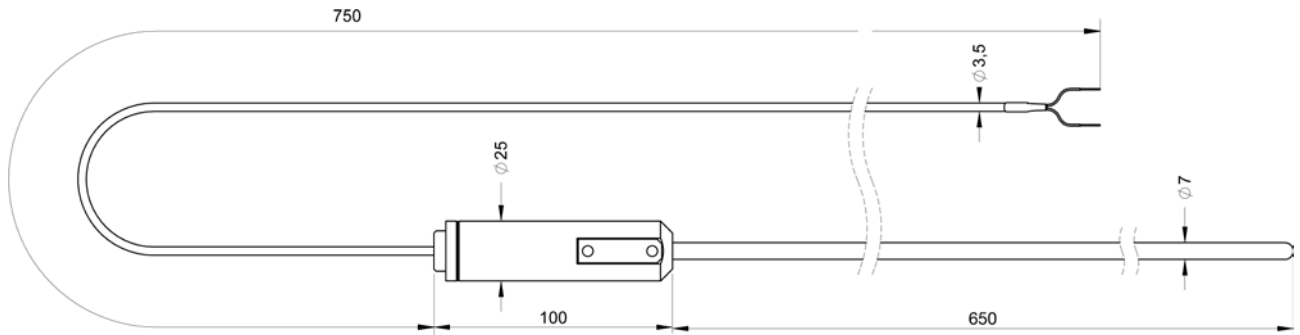
In workshops or laboratories, standard reference sensors can be used for calibration. They must also be calibrated periodically against a reference standard.

Possibility of a certificate of calibration at the ITS 90 fixed points or by comparison.

SPECIFICATIONS

	ETT-PT Pt100 sensor	ETT-TCS S thermocouples Model S90-03
Ranges	-100°C to +400°C and -100°C to +550°C	0°C to +1554°C
Resistance at 0°C	100 Ω	-
Stability	Up to 0.05°C	-
Measuring current	1 mA	-
Diameter and length of sensing element	6 x 450 mm	-
Interchangeability class	Class A as per IEC 60751	-
Option	Case	-
Material	-	10% rhodium-platinum / pure platinum
Dimensions	-	7 mm x 650 mm
Calibration certificate	-	By comparison
Accessories	-	Delivered in a case

DIAGRAM



TO ORDER

Pt100 sensor

Delivered in a case with a certificate of **calibration by comparison**.

Possibility of an emf/temperature correspondence table for each degree: please contact us.

Domain	Reproducibility	Code
-100 °C to +400 °C	≤ 25 mΩ (or ≤ 60 mK)	L918749-002
-100 °C to +550 °C		L918749-001

ETT-TCS Type S thermocouples

Secondary reference

Model S90-03: 0 °C to 1,554 °C

Delivered in a case with a certificate of calibration by comparison.

Possibility of an emf/temperature correspondence table for each degree: please contact us.

Domain	Model	Code
Calibration by comparison	Model S90-03	L918189-000



CHAUVIN ARNOUX
190, rue Championnet
75876 Paris Cedex 18 - France
Tel. : +33 1 44 85 44 85
Fax : +33 1 46 27 07 48
info@chauvin-arnoux.fr
www.chauvin-arnoux.fr



CHAUVIN ARNOUX METRIX
190, rue Championnet
75876 Paris Cedex 18 - France
Tel. : +33 1 44 85 44 85
Fax : +33 1 46 27 07 48
info@chauvin-arnoux.fr
www.chauvin-arnoux.fr



CHAUVIN ARNOUX ENERGY
16, rue Georges Besse
92182 Antony Cedex - France
Tel. : +33 1 75 60 10 30
Fax : +33 1 46 66 62 54
info@enerdis.fr
www.chauvin-arnoux-energy.com



MANUMESURE
9, allée Jean Prouvé
92110 Clichy - France
Tel. : +33 1 75 61 01 80
Fax : +33 1 47 33 28 02
info@manumasure.fr
www.manumasure.fr

YOUR CONTACTS

FRANCE
SOUTH-WEST SECTOR
Telephone: +33 (0)4 72 14 16 31
sud.est@pyrocontrole.com

WEST SECTOR
Telephone: +33 (0)4 81 76 02 55
ouest@pyrocontrole.com

ILE-DE-FRANCE/NORTH-EAST SECTOR
Telephone: +33 (0)4 81 76 02 54
idf.nord.est@pyrocontrole.com

INTERNATIONAL
PYROCONTROLE EXPORT DEPARTMENT
Telephone: +33 (0)4 72 14 15 40
export@pyrocontrole.com

10 SUBSIDIARIES WORLDWIDE

GERMANY
CHAUVIN ARNOUX GMBH
Ohmstraße 1
77694 KEHL / RHEIN
Tel.: +49 7851 99 26-0
Fax: +49 7851 99 26-60
info@chauvin-arnoux.de
www.chauvin-arnoux.de

AUTRICHE
CHAUVIN ARNOUX GES.M.B.H
Slamastrasse 29/2/4
1230 WIEN
Tel. : +43 1 61 61 9 61
Fax : +43 1 61 61 9 61-61
vie-office@chauvin-arnoux.at
www.chauvin-arnoux.at

CHINA
SHANGHAI PU-JIANG ENERDIS INSTRUMENTS CO. LTD
N° 381 Xiang De Road
3 Floor, Building 1
200081 SHANGHAI
Tel. : +86 21 65 21 51 96
Fax : +86 21 65 21 61 07
info@chauvin-arnoux.com.cn

SPAIN
CHAUVIN ARNOUX IBÉRICA SA
C/ Roger de Flor N°293
1a Planta
08025 BARCELONA
Tel. : +34 902 20 22 26
Fax : +34 934 59 14 43
info@chauvin-arnoux.es
www.chauvin-arnoux.es

ITALY
AMRA SPA
Via Sant' Ambrogio, 23
20846 MACHERIO (MB)
Tel. : +39 039 245 75 45
Fax : +39 039 481 561
info@amra-chauvin-arnoux.it
www.chauvin-arnoux.it

MIDDLE EAST
CHAUVIN ARNOUX MIDDLE EAST
PO Box 60-154
1241 2020 JAL EL DIB
(Beirut) - LEBANON
Tel. : +961 1 890 425
Fax : +961 1 890 424
camie@chauvin-arnoux.com
www.chauvin-arnoux.com

UNITED KINGDOM
CHAUVIN ARNOUX LTD
Unit 1 Nelson Ct, Flagship Sq
Shaw Cross Business Pk, Dewsbury
West Yorkshire - WF12 7TH
Tel. : +44 1924 460 494
Fax : +44 1924 455 328
info@chauvin-arnoux.co.uk
www.chauvin-arnoux.com

SCANDINAVIA
CA MÄTSYSTEM AB
Sjöflygvägen 35
SE-183 62 TABY
Tel. : +46 8 50 52 68 00
Fax : +46 8 50 52 68 10
info@camatsystem.com
www.camatsystem.com

SWITZERLAND
CHAUVIN ARNOUX AG
Moosacherstrasse 15
8804 AU / ZH
Tel. : +41 44 727 75 55
Fax : +41 44 727 75 56
info@chauvin-arnoux.ch
www.chauvin-arnoux.ch

USA
CHAUVIN ARNOUX INC
d.b.a AEMC Instruments
15 Faraday Drive
Dover - NH 03820
Tel. : +1 (800) 945-2362
Fax : +1 (603) 742-2346
sales@aemc.com
www.aemc.com

FRANCE
PYROCONTROLE
6 bis, av du Docteur Schweitzer
69881 Meyzieu Cedex - France
Tel. : +33 4 72 14 15 40
Fax : +33 4 72 14 15 41
info@pyrocontrole.com
www.pyrocontrole.com

MIDDLE EAST
Chauvin Arnoux Middle East
P.O. BOX 60-154
1241 2020 JAL EL DIB -
LEBANON
Tel: +961 1 890 425
Fax: +961 1 890 424
camie@chauvin-arnoux.com
www.chauvin-arnoux.com

UNITED KINGDOM
Chauvin Arnoux Ltd
Unit 1 Nelson Ct, Flagship Sq,
Shaw Cross Business Pk
Dewsbury, West Yorkshire -
WF12 7TH
Tel: +44 1924 460 494
Fax: +44 1924 455 328
info@chauvin-arnoux.co.uk
www.chauvin-arnoux.com