

SENSOR WITH STANDARD RESPONSE TIME

DT108-DDG

For measuring the temperature of
post-accident safety systems

Mounting in tapered thermowell

- High measurement accuracy
- **Qualified as K1** according to RCC-E
- Reliable measurements over time
- Measurement continuity in post-accident conditions



Nuclear

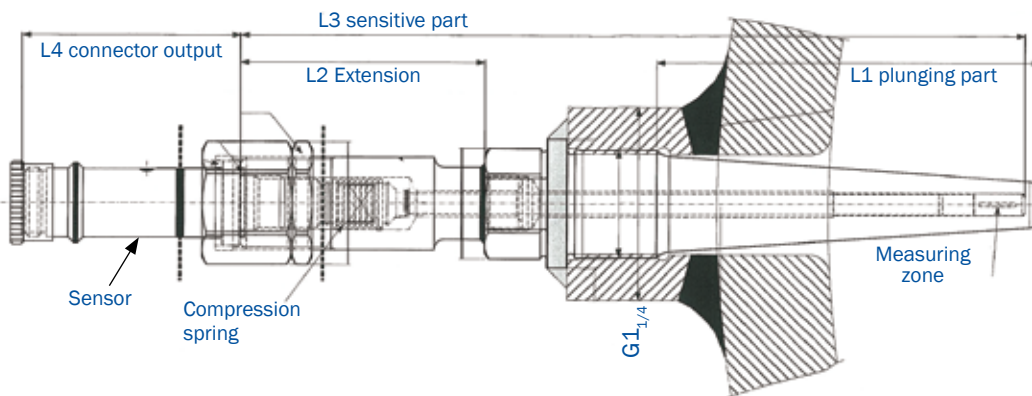
■ Operation

Mounted in a thermowell, the DT108-DDG provides accurate temperature measurement by immersion. Qualified as K1, it is available with different connector sizes (G3/4", 1, 1 1/4") and different pipe diameters. Depending on the application, the DT108 can be supplied with 3 types of mounting: pressurizer, thermowell and boss-mounted. Please contact us for details.

■ Technical Specifications

Temperature range	0 / + 400 °C
Qualification	K1 according to RCC-E
Response time	Approximately 30s at 63% of the measurement scale between 20 °C and 70 °C in water flowing at 1 m/s
Measuring element	Pt100, 4-wire mounting – ceramic sheath
Measurement current	Maximum current < 3 mA to maintain the required measurement accuracy. Maximum value without destruction: 40 mA for 3 min.
Measurement accuracy	Certificate of calibration at 4 points (0 °C, 100 °C, 270 °C and 330 °C) and provision of a degree deviation table covering the measurement range (0°-370°C)
Electrical insulation	Ri ≥ 100 MΩ with 100 VDC at 20 °C Ri ≥ 1 MΩ with 100 VDC at 350 °C
Electrical connection	SOURIAU 8NA1Y1212PNO0SA weld-on hermetic connector
Thermowell	Made of austenitic stainless steel. Immersion depth: 100 mm, 150 mm or 200 mm. 3 threading variants: G _{3/4} , G1, G1 _{1/4}

■ Design diagram



■ Certifications

Pyrocontrole is certified **ISO 9001** for management through Quality and ISO 14001 for control of the environmental impact. Pyrocontrole benefits from **HAF 604** certification for its equipment for the Chinese civilian nuclear industry

■ To order

DIMENSIONS					RÉFÉRENCES						
Plunging part		Extension	Sensitive part (compressed)	Connector output	Extension	Plunging part	Complete thermowell (extension + plunging part)	Sensor only	DT108-DDG assembly		
D	L1	L2	L3	L4							
G _{3/4}	100 mm	95 mm	242 mm	85 mm	L919344-001	L919387-001	L919341-001	L919340-001	L919379-001		
		95 mm	242 mm	85 mm							
G1 (Special for CPO)	150 mm	95 mm	298 mm	85 mm		L919344-002	L919390-001	L919348-001	L919347-001	L919382-001	
		95 mm	248 mm	85 mm							
G1 _{1/4}	150 mm	95 mm	256 mm	85 mm			L919388-003	L919342-003	L919340-005	L919380-001	
		95 mm	256 mm	85 mm							
		100 mm	95 mm	306 mm			85 mm	L919388-002	L919342-002	L919340-002	L919380-002
			95 mm	306 mm			85 mm				
		150 mm	95 mm	356 mm			85 mm	L919388-001	L919342-001	L919340-002	L919380-003
			95 mm	356 mm			85 mm				
200 mm	95 mm	356 mm	207 mm				L919340-006	L919380-004			

FRANCE

Pyrocontrole
6 bis, av du Docteur Schweitzer
69881 MEYZIEU Cedex
Tel: +33 4 72 14 15 45
Fax: +33 4 72 14 15 41
export@pyro-controle.tm.fr
www.pyrocontrole.com

MIDDLE EAST

Chauvin Arnoux Middle East
P.O. BOX 60-154
1241 2020 JAL EL DIB - LEBANON
Tel: +961 1 890 425
Fax: +961 1 890 424
camie@chauvin-arnoux.com
www.chauvin-arnoux.com

UNITED KINGDOM

Chauvin Arnoux Ltd
Unit 1 Nelson Ct, Flagship Sq, Shaw Cross Business Pk
Dewsbury, West Yorkshire - WF12 7TH
Tel: +44 1924 460 494
Fax: +44 1924 455 328
info@chauvin-arnoux.co.uk
www.chauvin-arnoux.com

